

CONFIDENTIAL

SAMSUNG

TFT-LCD TV/MONITOR

NK15S* (LS15N13W)

NK17S* (LS17N13W)

SERVICE Manual

TFT-LCD TV/MONITOR

CONTENTS



1. Precautions
2. Product Specifications
3. Disassembly & Reassembly
4. Alignment & Adjustments
5. Troubleshooting
6. Exploded View & Parts List
7. Electrical Parts List
8. Block Diagram
9. Wiring Diagram
10. Schematic Diagrams
11. Panel Description

1 Precautions

Follow these safety, servicing and ESD precautions to prevent damage and to protect against potential hazards such as electrical shock.

1-1 Safety Precautions

1-1-1 Warnings

1. For continued safety, do not attempt to modify the circuit board.
2. Disconnect the AC power and DC Power Jack before servicing.

1-1-2 Servicing the LCD Monitor

1. When servicing the LCD Monitor Disconnect the AC line cord from the AC outlet.
2. It is essential that service technicians have an accurate voltage meter available at all times. Check the calibration of this meter periodically.

1-1-3 Fire and Shock Hazard

Before returning the monitor to the user, perform the following safety checks:

1. Inspect each lead dress to make certain that the leads are not pinched or that hardware is not lodged between the chassis and other metal parts in the monitor.
2. Inspect all protective devices such as nonmetallic control knobs, insulating materials, cabinet backs, adjustment and compartment covers or shields, isolation resistor-capacitor networks, mechanical insulators, etc.
3. Leakage Current Hot Check (Figure 1-1):
WARNING: Do not use an isolation transformer during this test.

Use a leakage current tester or a metering system that complies with American National Standards Institute (*ANSI C101.1, Leakage Current for Appliances*), and Underwriters Laboratories (*UL Publication UL1410, 59.7*).

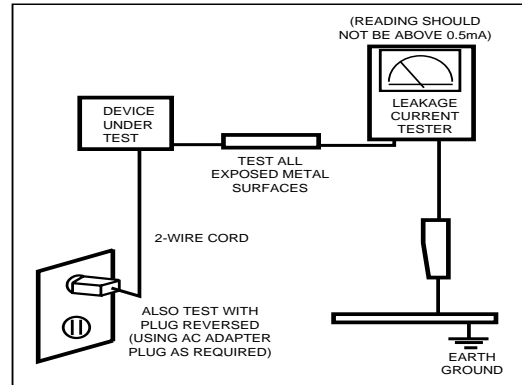



Figure 1-1. Leakage Current Test Circuit

4. With the unit completely reassembled, plug the AC line cord directly into a 120V AC outlet. With the unit's AC switch first in the ON position and then OFF, measure the current between a known earth ground (metal water pipe, conduit, etc.) and all exposed metal parts, including: metal cabinets, screwheads and control shafts. The current measured should not exceed 0.5 milliamp. Reverse the power-plug prongs in the AC outlet and repeat the test.

1-1-4 Product Safety Notices

Some electrical and mechanical parts have special safety-related characteristics which are often not evident from visual inspection. The protection they give may not be obtained by replacing them with components rated for higher voltage, wattage, etc. Parts that have special safety characteristics are identified by  on schematics and parts lists. A substitute replacement that does not have the same safety characteristics as the recommended replacement part might create shock, fire and / or other hazards. Product safety is under review continuously and new instructions are issued whenever appropriate.

1-2 Servicing Precautions

WARNING: An electrolytic capacitor installed with the wrong polarity might explode.

Caution: Before servicing units covered by this service manual, read and follow the Safety Precautions section of this manual.

Note: If unforeseen circumstances create conflict between the following servicing precautions and any of the safety precautions, always follow the safety precautions.

1-2-1 General Servicing Precautions

1. Always unplug the unit's AC power cord from the AC power source and disconnect the DC Power Jack before attempting to:
 - (a) remove or reinstall any component or assembly,
 - (b) disconnect PCB plugs or connectors, (c) connect a test component in parallel with an electrolytic capacitor.
2. Some components are raised above the printed circuit board for safety. An insulation tube or tape is sometimes used. The internal wiring is sometimes clamped to prevent contact with thermally hot components. Reinstall all such elements to their original position.
3. After servicing, always check that the screws, components and wiring have been correctly reinstalled. Make sure that the area around the serviced part has not been damaged.
4. Check the insulation between the blades of the AC plug and accessible conductive parts (examples: metal panels, input terminals and earphone jacks).
5. Insulation Checking Procedure: Disconnect the power cord from the AC source and turn the power switch ON. Connect an insulation resistance meter (500 V) to the blades of the AC plug.
The insulation resistance between each blade of the AC plug and accessible conductive parts (see above) should be greater than 1 megohm.
6. Always connect a test instrument's ground lead to the instrument chassis ground before connecting the positive lead; always remove the instrument's ground lead last.

1-3 Electrostatically Sensitive Devices (ESD) Precautions

Some semiconductor (solid state) devices can be easily damaged by static electricity. Such components are commonly called Electrostatically Sensitive Devices (ESD). Examples of typical ESD devices are integrated circuits and some field-effect transistors. The following techniques will reduce the incidence of component damage caused by static electricity.

1. Immediately before handling any semiconductor components or assemblies, drain the electrostatic charge from your body by touching a known earth ground. Alternatively, wear a discharging wrist-strap device. To avoid a shock hazard, be sure to remove the wrist strap before applying power to the monitor.
2. After removing an ESD-equipped assembly, place it on a conductive surface such as aluminum foil to prevent accumulation of an electrostatic charge.
3. Do not use freon-propelled chemicals. These can generate electrical charges sufficient to damage ESDs.
4. Use only a grounded-tip soldering iron to solder or desolder ESDs.
5. Use only an anti-static solder removal device. Some solder removal devices not classified as "anti-static" can generate electrical charges sufficient to damage ESDs.
6. Do not remove a replacement ESD from its protective package until you are ready to install it. Most replacement ESDs are packaged with leads that are electrically shorted together by conductive foam, aluminum foil or other conductive materials.
7. Immediately before removing the protective material from the leads of a replacement ESD, touch the protective material to the chassis or circuit assembly into which the device will be installed.
Caution: Be sure no power is applied to the chassis or circuit and observe all other safety precautions.
8. Minimize body motions when handling unpackaged replacement ESDs. Motions such as brushing clothes together, or lifting your foot from a carpeted floor can generate enough static electricity to damage an ESD.

2 Product Specifications

2-1 Specifications

Item	Description	
	LS15N13W	LS17N13W
LCD Panel	TFT-LCD panel, RGB vertical stripe, normaly white, 15-Inch viewable, 0.261 mm pixel pitch	TFT-LCD panel, RGB vertical stripe, normaly white, 17-Inch viewable, 0.2895 mm pixel pitch
Scanning Frequency	Horizontal : 30 kHz ~ 61 kHz (Automatic) Vertical : 56 Hz ~ 75 Hz (Automatic)	
Display Colors	16.2 Million colors	
Maximum Resolution	Horizontal : 1280 Pixels Vertical : 768 Pixels	1280 Pixels 768 Pixels
Input Video Signal	Analog 0.7 Vp-p ± 5% positive at 75 Ω, internally terminated	
Input Sync Signal	Type : Seperate H/V Level : TTL level	
Maximum Pixel Clock rate	80 MHz	80 MHz
Active Display Horizontal/Vertical	334.08 mm / 200.44 mm	370.560 mm / 222.336 mm
AC power voltage & Frequency	AC 90 ~ 264 Volts, 60 / 50 Hz ± 3 Hz	
Power Consumption	46 W (Max)	49 W (Max)
Dimensions Unit (W x D x H) Carton (W x D x H)	19.6 x 8.0 x 14.7 Inches (498 x 204.5 x 374 mm) 22.5 x 17.4 x 10.6 Inches (571 x 441 x 269 mm)	21.1 x 8.0 x 15.8 Inches (536 x 204.5 x 402 mm) 24.0 x 18.3 x 10.6 Inches (609 x 465 x 269 mm)
Weight	3.95 Kg (8.7 lbs)	4.8 Kg (10.6 lbs)
Environmental Considerations	Operating Temperature : 50 °F ~ 104 °F (10 °C ~ 40 °C) Humidity : 10 % ~ 80 % Storage Temperature : -4 °F ~ 113 °F (-20 °C ~ 45 °C) Humidity : 5 % ~ 95 %	
TV System	Tunning	Frequency Synthesize
	System	PAL, SECAM, NTSC 4.43, NTSC 3.58
	Sound	BG, DK, I, M
Antena Input	75Ω, Coaxial Cable	
Sound Characteristic	– MAX Internal speaker Out : Right => 3W Left => 3W	Right => 5W Left => 5W
	– BASS Control Range : -12 dB~ + 12 dB – TREBLE Control Range : -12 dB~ + 12 dB – Headphone Out: 5mW max (400m Vrms) – Output Frequency : RF => 80 Hz ~ 15 kHz A/V => 80 Hz ~ 15 kHz	

2-2 Pin Assignments

2-2-1 D-SUB

Pin	Separate
1	Red
2	Green
3	Blue
4	GND
5	GND (DDC Return)
6	GND-Red
7	GND-Green
8	GND-Blue
9	No Connection
10	GND-Sync./Self Test
11	GND
12	DDC Data
13	H-Sync.
14	V-Sync.
15	DDC Clock

2-2-2 DVD,DTV

RCA Green	Y
	GND
RCA Blue	Pb (Cb)
	GND
RCA Red	Pr (Cr)
	GND
RCA White	Audio L
	GND
RCA Red	Audio R
	GND

2-2-3 S-Video

Pin	Separate
1	GND
2	Y
3	C
4	GND
5	GND

2-2-4 A/V

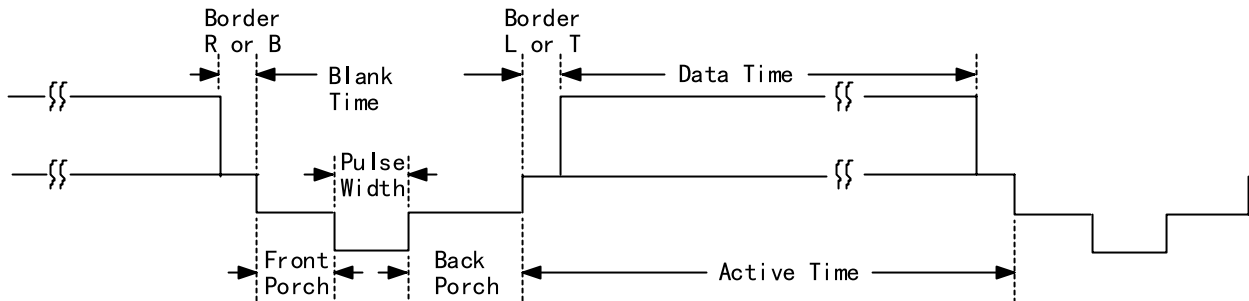
RCA Yellow	CVBS
RCA White	Audio L
	GND
RCA Red	Audio R
	GND

2-3 Timing Chart

This section of the service manual describes the timing that the computer industry recognizes as standard for computer-generated video signals.

2-3-1 LCD Panel Mode : 1 mode

Timing No.	
Originator	
Mode Name	1280/60Hz
Resolution (HxV)	1280x768
HORIZONTAL	
Frequency	47.700kHz
Total time	20.964µs
Active time	15.973µs
Blank time	4.992µs
Border (L / R)	0.000µs
Data time	15.964µs
Front porch	0.799µs
Sync. width	1.697µs
Back porch	2.496µs
Sync. polarity	Negative
VERTICAL	
Frequency	60Hz
Total time	16.667ms
Active time	16.101ms
Blank time	0.566ms
Border (T / B)	0.000ms
Data time	16.101ms
Front porch	20.964ms
Sync. width	62.893ms
Back porch	482.180
Sync. polarity	Positive
Dot Clock	80.136MHz
Sync. Type	Separate
Scan Type	N/I



2-3-2 Supported Modes (1)

Timing No.	2	3	11	17	32
Originator	IBM	IBM	VESA	VESA	MAC
Mode Name	VGA2	VGA3	640/72Hz	640/75Hz	640/67Hz
Resolution (HxV)	720x400	640x480	640x480	640x480	640x480
HORIZONTAL					
Frequency	31.469kHz	31.469kHz	37.861kHz	37.500kHz	35.000kHz
Total time	31.777 μ s	31.778 μ s	26.413 μ s	26.667 μ s	28.571 μ s
Active time	26.058 μ s	26.058 μ s	20.825 μ s	20.317 μ s	21.164 μ s
Blank time	5.720 μ s	5.720 μ s	5.588 μ s	6.350 μ s	7.407 μ s
Border (L / R)	0.318 μ s	0.318 μ s	0.254 μ s	0.000 μ s	0.000 μ s
Data time	25.422 μ s	25.422 μ s	20.317 μ s	20.317 μ s	21.164 μ s
Front porch	0.318 μ s	0.318 μ s	0.508 μ s	0.508 μ s	2.116 μ s
Sync. width	3.813 μ s	3.813 μ s	1.270 μ s	2.032 μ s	2.116 μ s
Back porch	1.589 μ s	1.589 μ s	3.810 μ s	3.810 μ s	3.175 μ s
Sync. polarity	Negative	Negative	Negative	Negative	Negative
VERTICAL					
Frequency	70.087Hz	59.940Hz	72.809Hz	75.000Hz	66.667Hz
Total time	14.268ms	16.683ms	13.735ms	13.333ms	15.000ms
Active time	13.155ms	15.761ms	13.100ms	12.800ms	13.714ms
Blank time	1.113ms	0.922ms	0.635ms	0.533ms	1.286ms
Border (T / B)	0.222ms	0.254ms	0.211ms	0.000ms	0.000ms
Data time	12.711ms	15.253ms	12.678ms	12.800ms	13.714ms
Front porch	0.191ms	0.064ms	0.026ms	0.027ms	0.086ms
Sync. width	0.064ms	0.064ms	0.079ms	0.080ms	0.086ms
Back porch	0.858ms	0.794ms	0.528ms	0.427ms	1.114ms
Sync. polarity	Positive	Negative	Negative	Negative	Negative
Dot Clock	28.322MHz	25.175MHz	31.500MHz	31.500MHz	30.240MHz
Sync. Type	Separate	Separate	Separate	Separate	Separate
Scan Type	N/I	N/I	N/I	N/I	N/I

2-3-2 Supported Modes (2)

Timing No.	13	14	18	33	15
Originator	VESA	VESA	VESA	MAC	VESA
Mode Name	800/60Hz	800/72Hz	800/75Hz	832/75Hz	1024/60Hz
Resolution (HxV)	800x600	800x600	800x600	832x624	1024x768
HORIZONTAL					
Frequency	37.879kHz	48.077kHz	46.875kHz	49.726kHz	48.363kHz
Total time	26.400μs	20.800μs	21.333μs	20.110μs	20.677μs
Active time	20.000μs	16.000μs	16.162μs	14.524μs	15.754μs
Blank time	6.400μs	4.800μs	5.171μs	5.171μs	4.923μs
Border (L / R)	0.000μs	0.000μs	0.000μs	0.000μs	0.000μs
Data time	20.000μs	16.000μs	16.162μs	14.524μs	15.754μs
Front porch	1.000μs	1.120μs	0.323μs	0.559μs	0.369μs
Sync. width	3.200μs	2.400μs	1.616μs	1.117μs	2.092μs
Back porch	2.200μs	1.280μs	3.232μs	3.910μs	2.462μs
Sync. polarity	Positive	Positive	Positive	Positive	Negative
VERTICAL					
Frequency	60.317Hz	72.188Hz	75.000Hz	74.551Hz	60.004Hz
Total time	16.579ms	13.853ms	13.333ms	13.414ms	16.666ms
Active time	15.840ms	12.480ms	12.800ms	12.549ms	15.880ms
Blank time	0.739ms	1.373ms	0.533ms	0.864ms	0.786ms
Border (T / B)	0.000ms	0.000ms	0.000ms	0.000ms	0.000ms
Data time	15.840ms	12.480ms	12.800ms	12.549ms	15.880ms
Front porch	0.026ms	0.770ms	0.021ms	0.020ms	0.062ms
Sync. width	0.106ms	0.125ms	0.064ms	0.060ms	0.124ms
Back porch	0.607ms	0.478ms	0.448ms	0.784ms	0.600ms
Sync. polarity	Positive	Positive	Positive	Positive	Negative
Dot Clock	40.000MHz	50.000MHz	49.500MHz	49.500MHz	65.000MHz
Sync. Type	Separate	Separate	Separate	Separate	Separate
Scan Type*	N/I	N/I	N/I	N/I	N/I

2-3-2 Supported Modes (3)

Timing No.	16	19
Originator	VESA	VESA
Mode Name	1024/70Hz	1024/75Hz
Resolution (HxV)	1024x768	1024x768
HORIZONTAL		
Frequency	56.476kHz	60.023kHz
Total time	17.707μs	16.660μs
Active time	13.653μs	13.003μs
Blank time	4.053μs	3.777 μs
Border (L / R)	0.000μs	0.000 μs
Data time	13.653μs	13.003μs
Front porch	0.320μs	0.323 μs
Sync. width	1.813μs	1.219 μs
Back porch	1.920μs	2.235 μs
Sync. polarity	Negative	Positive
VERTICAL		
Frequency	70.069Hz	75.029Hz
Total time	14.272ms	13.328ms
Active time	13.599ms	12.795ms
Blank time	0.672ms	0.533ms
Border (T / B)	0.000ms	0.000ms
Data time	13.599ms	12.795ms
Front porch	0.053ms	0.017ms
Sync. width	0.106ms	0.050ms
Back porch	0.513ms	0.466ms
Sync. polarity	Negative	Positive
Dot Clock	75.000MHz	78.750MHz
Sync. Type	Separate	Separate
Scan Type	N/I	N/I

3 Disassembly and Reassembly

This section of the service manual describes the disassembly and reassembly procedures for the LS15N13W/LS17N13W monitor.

WARNING: This monitor contains electrostatically sensitive devices. Use caution when handling these components.

3-1 Disassembly

- Cautions:**
1. Disconnect the monitor from the power source before disassembly.
 2. Follow these directions carefully; never use metal instruments to pry apart the cabinet.



1. Remove the 4 screws (Rear Cover + Stand) on the rear cover.



2. Remove the Ass'Y Stand from rear cover.



3. Remove the 3 screws (Rear Cover + Front Cover) on the rear.



4. Lift up the rear cover until it opens completely.

3-2 Reassembly

Reassembly procedures are in the reverse order of Disassembly procedures.

4 Alignments and Adjustments

4-1 General Alignment Instruction

1. Usually, a color TV-VCR needs only slight touch-up adjustment upon installation. Check the basic characteristics such as height, horizontal and vertical sync.
2. Use the specified test equipment or its equivalent.
3. Correct impedance matching is essential.
4. Avoid overload. Excessive signal from a sweep generator might overload the front-end of the TV. When inserting signal markers, do not allow the marker generator to distort test result.
5. Connect the TV only to an AC power source with voltage and frequency as specified on the backcover nameplate.
6. Do not attempt to connect or disconnect any wire while the TV is turned on. Make sure that the power cord is disconnected before replacing any parts.
7. To protect against shock hazard, use an isolation transform.

4-2 Factory Mode Adjustments

4-2-1 Entering Factory Mode

1. To enter "Service Mode" Press the remote - control keys in this sequence :

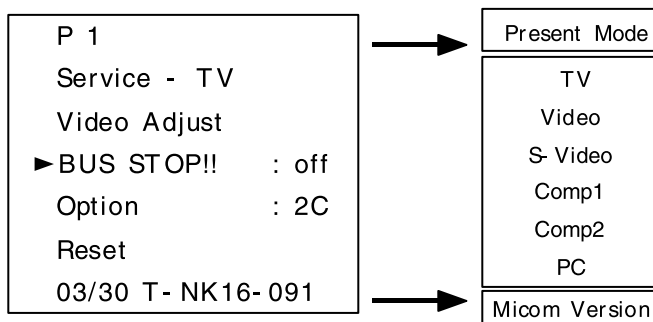
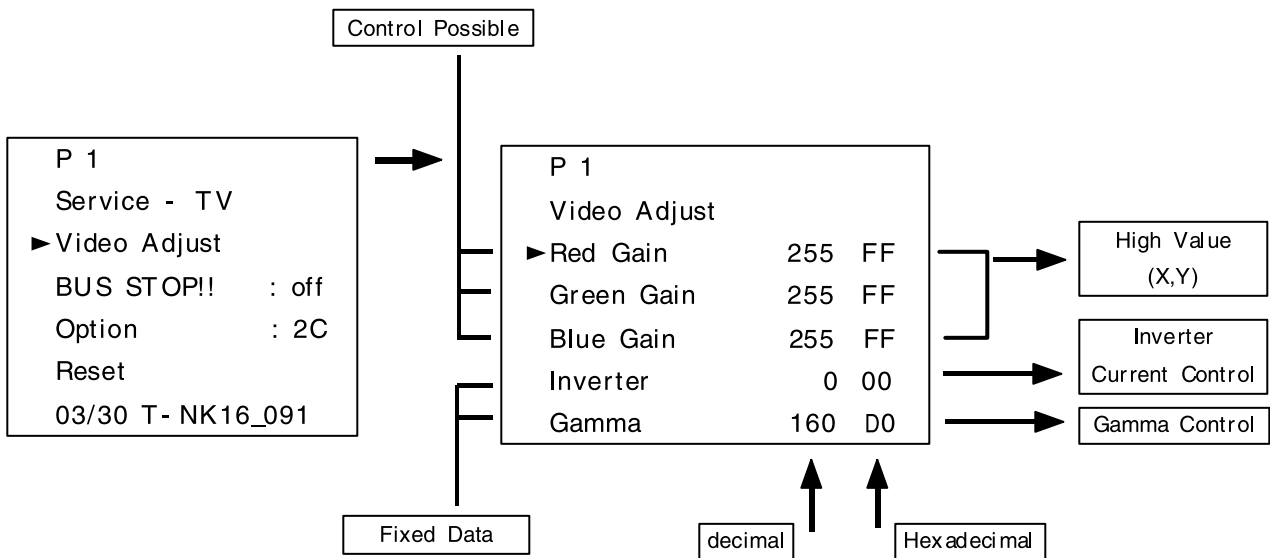
- If you do not have Factory remote - control

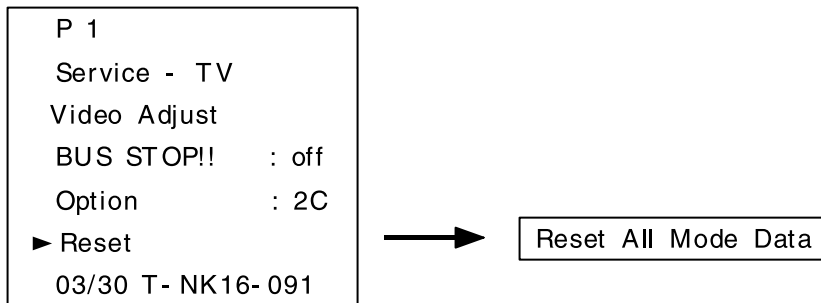
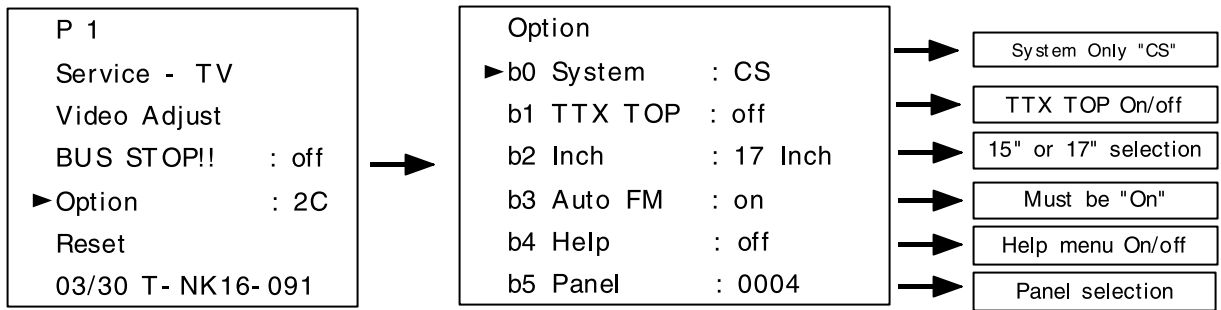


- If you have Factory remote - control



4-2-2 Factory Mode Tree

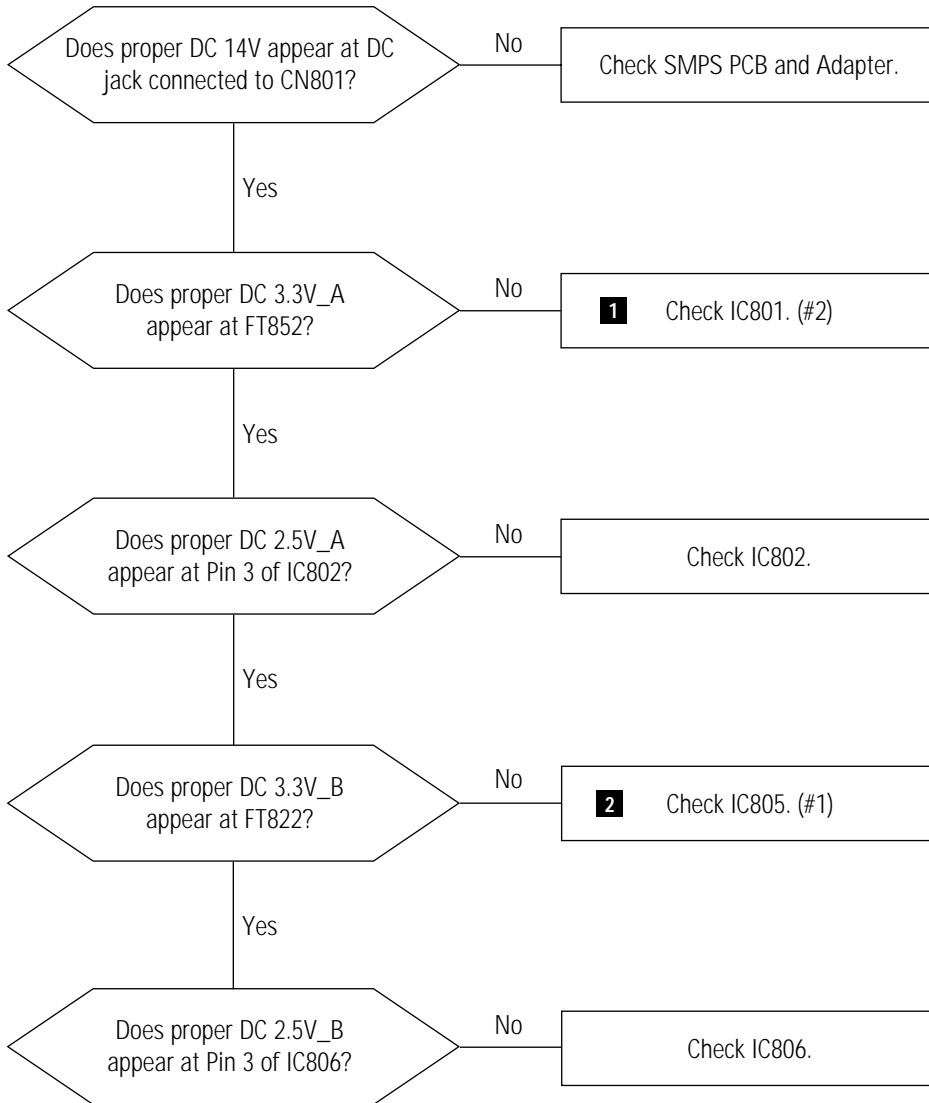




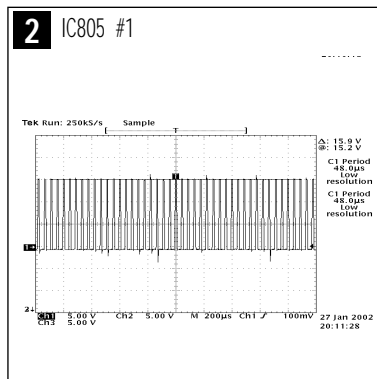
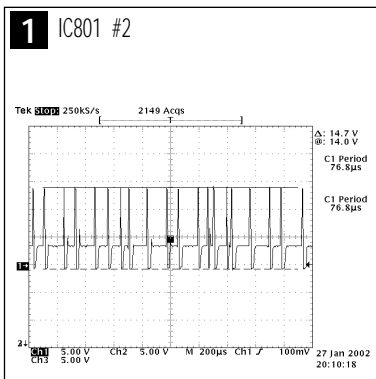
Memo

5 Troubleshooting

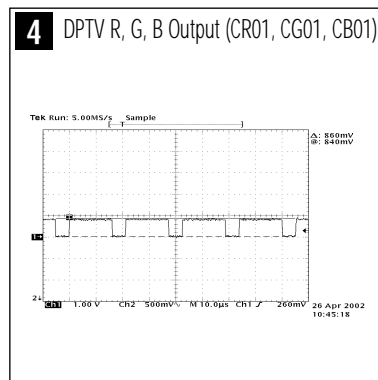
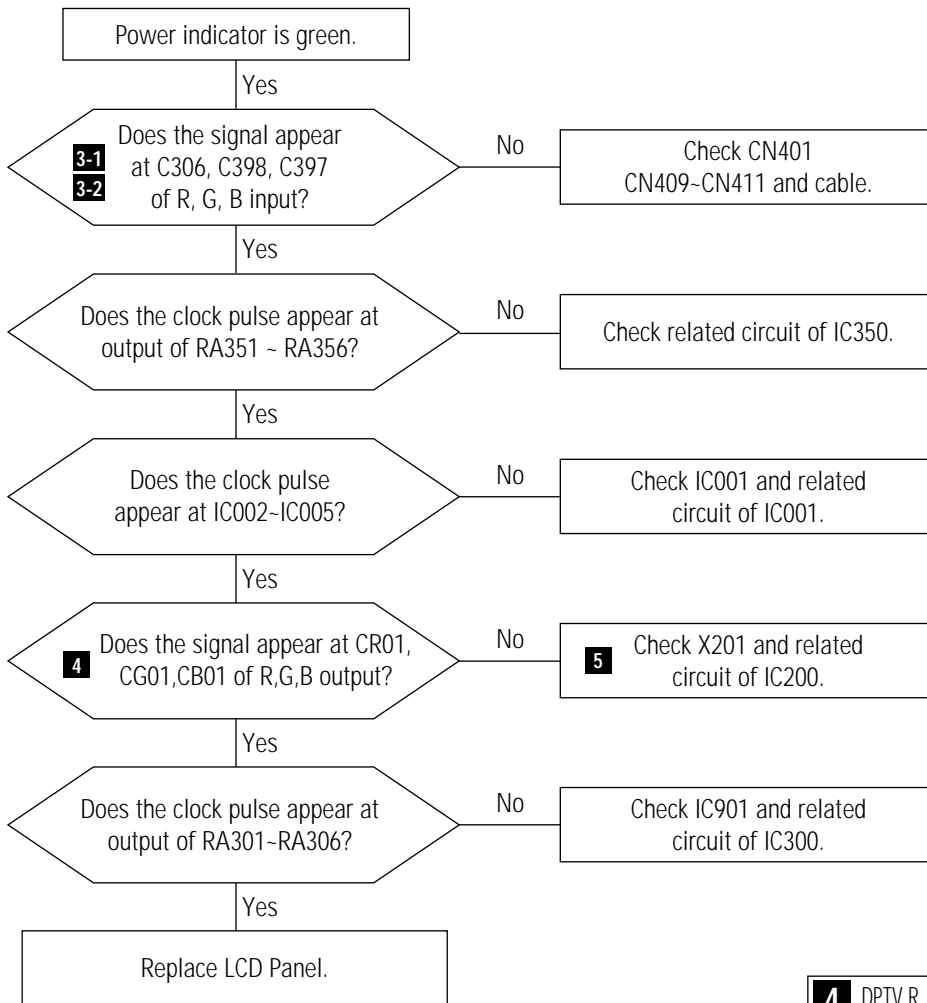
5-1 No Power



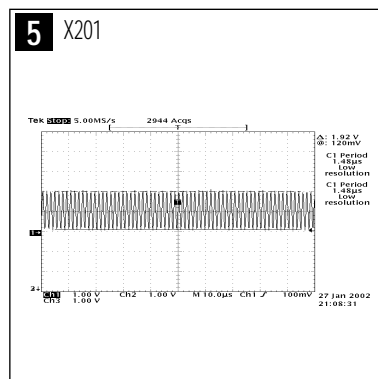
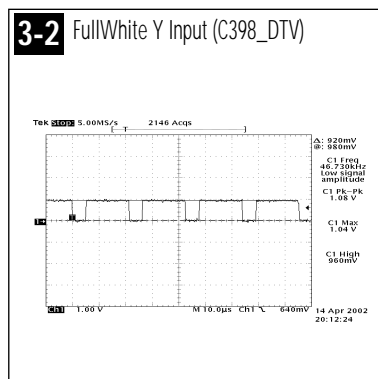
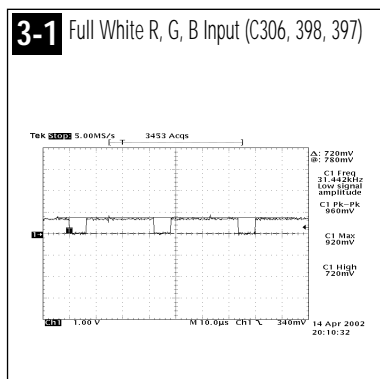
WAVEFORMS



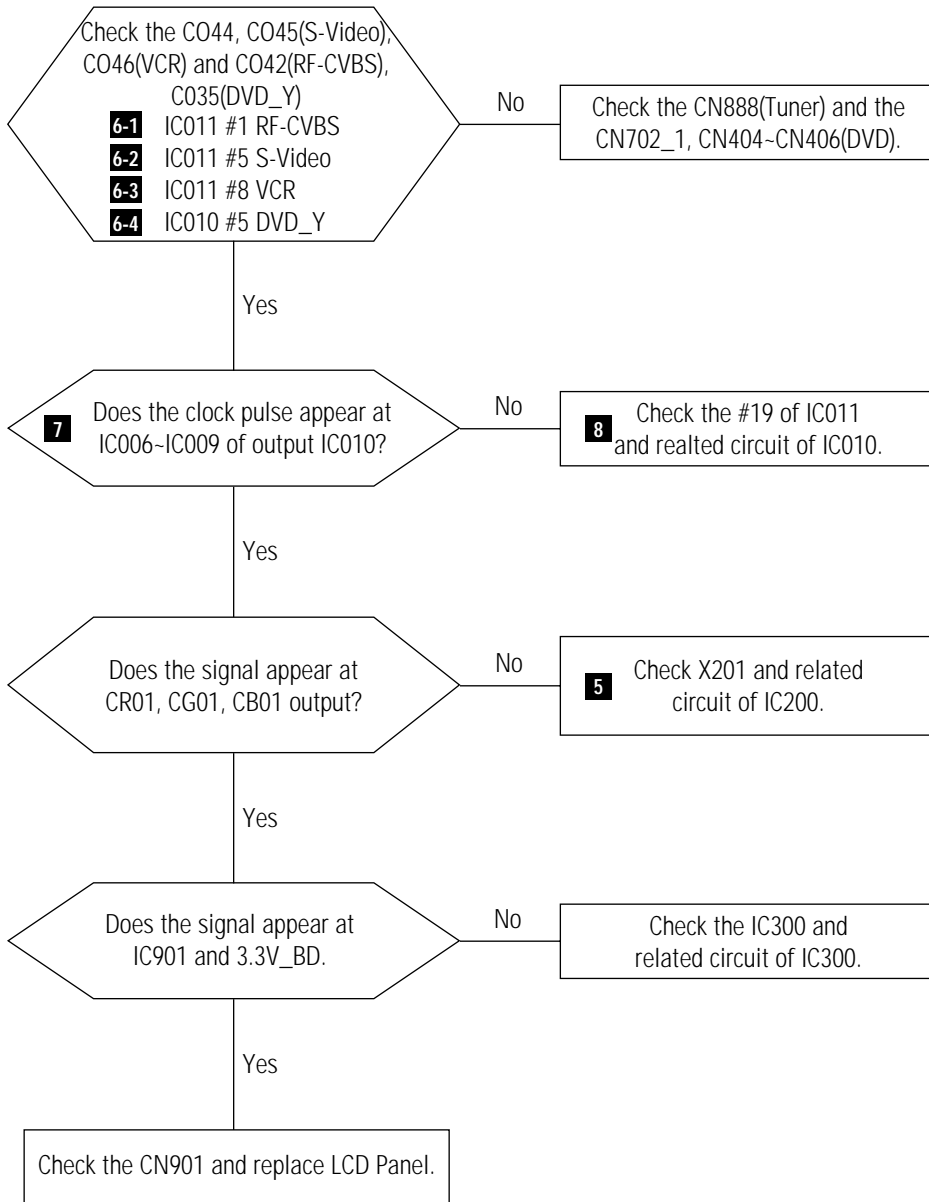
5-2 No Video (PC Signal, DTV)



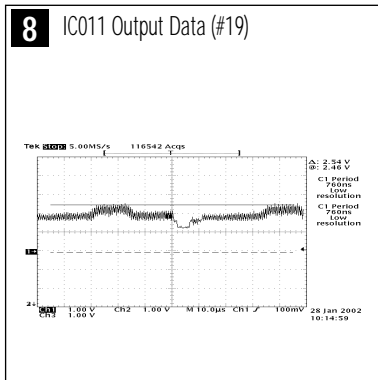
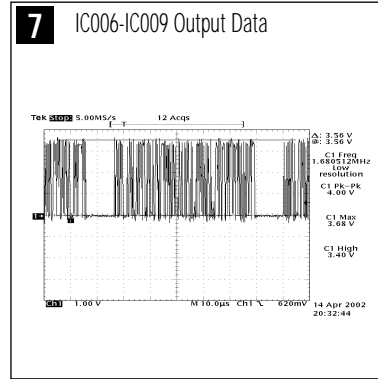
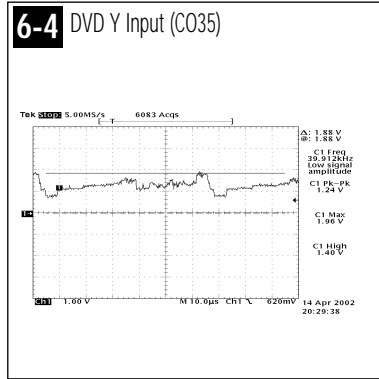
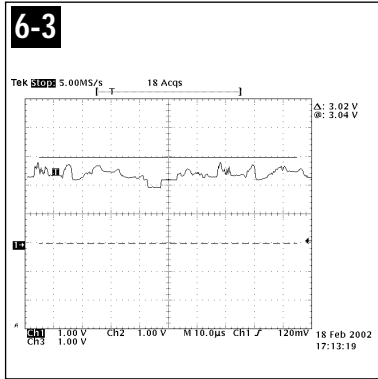
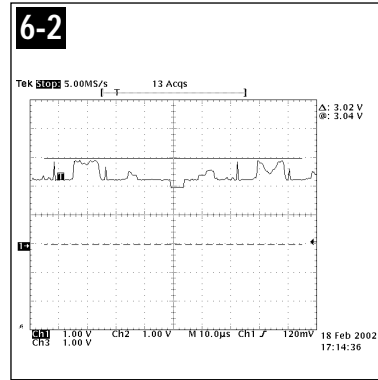
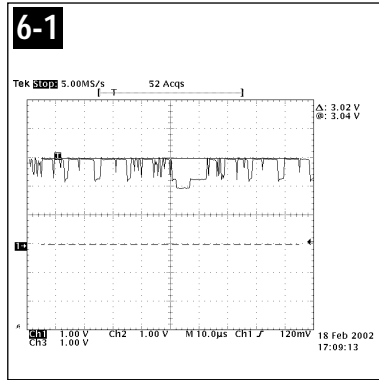
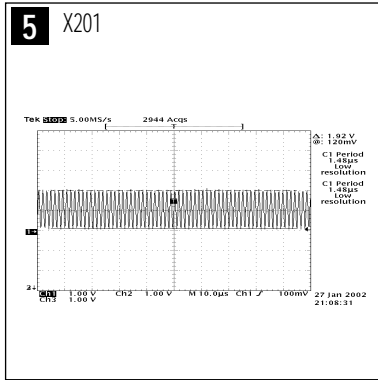
WAVEFORMS



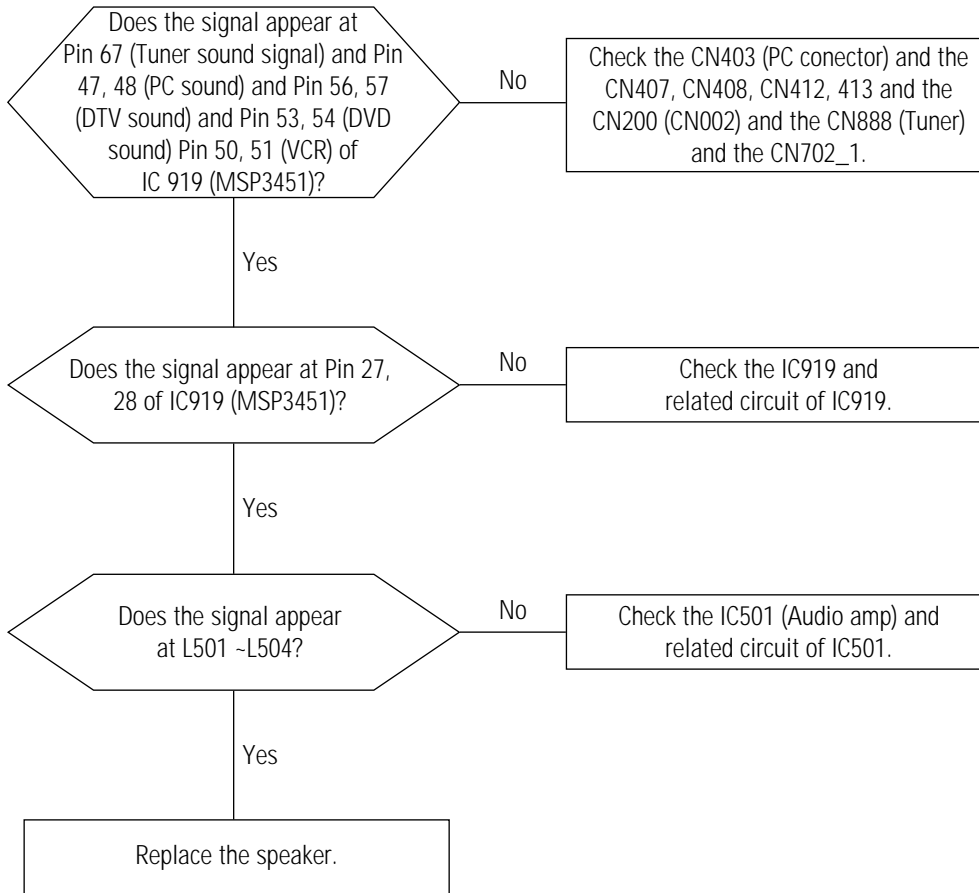
5-3 No Picture (TV, Video, S-Video, DVD)



WAVEFORMS



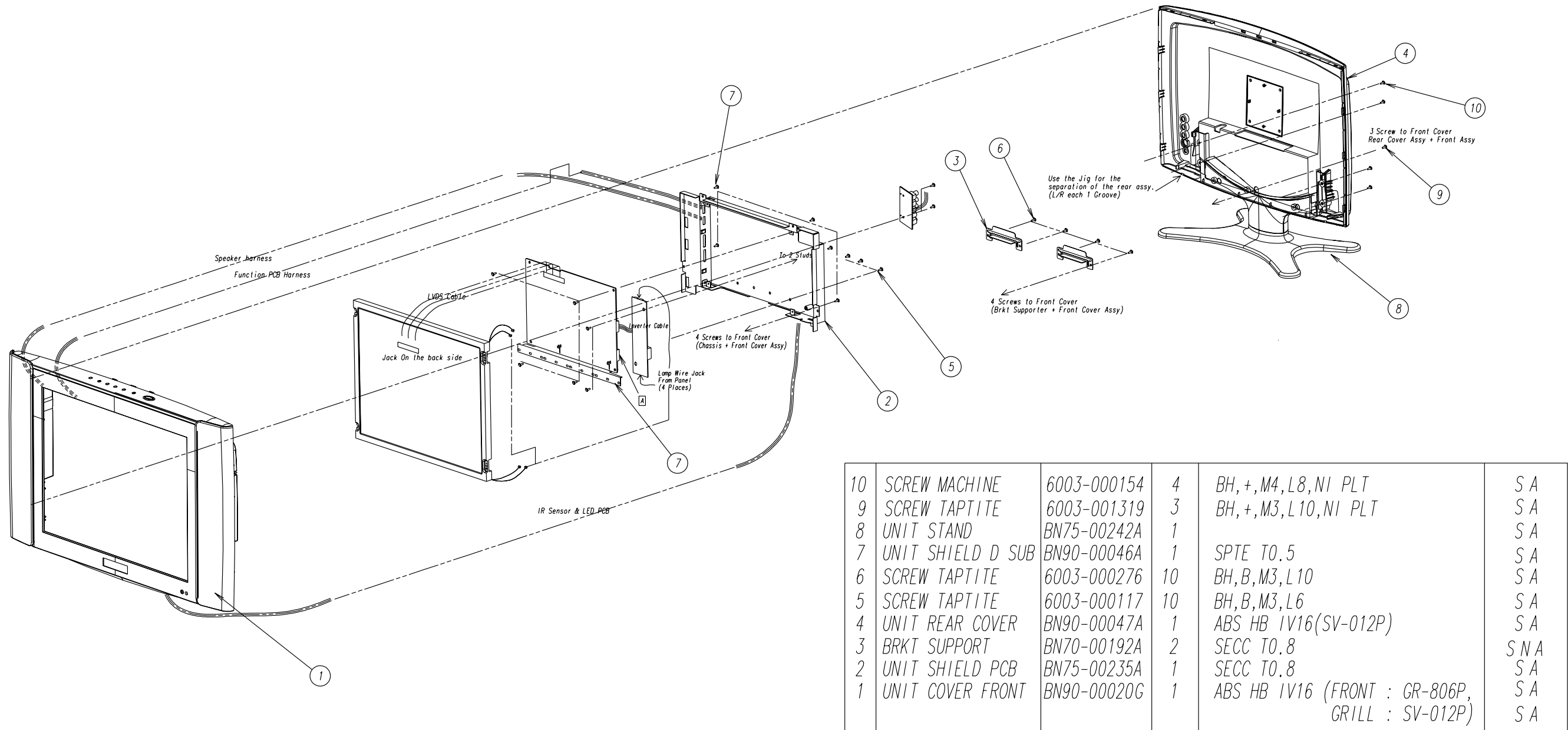
5-4 No Sound



Memo

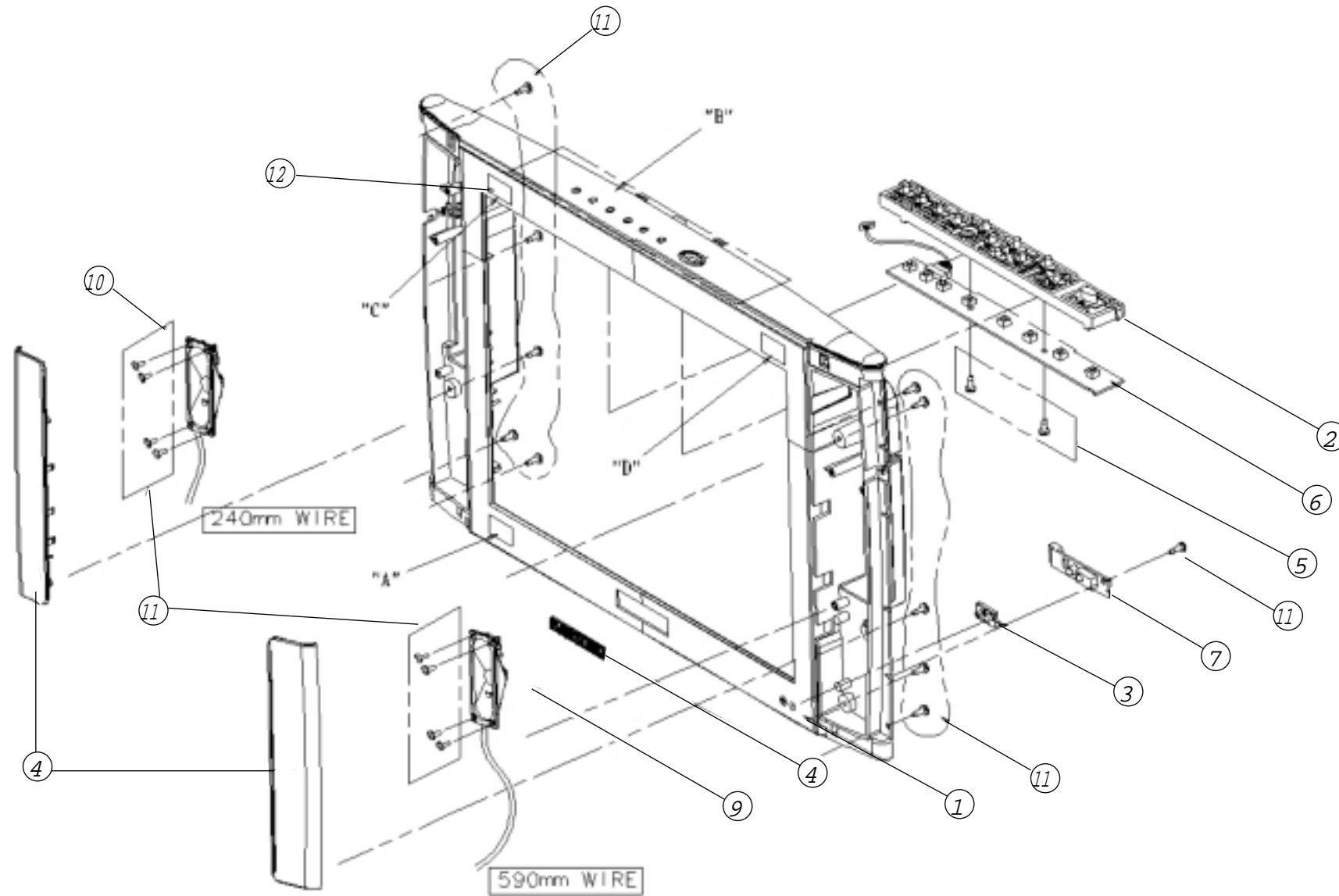
6 Exploded View and Parts List

6-1-1 LS15N13W



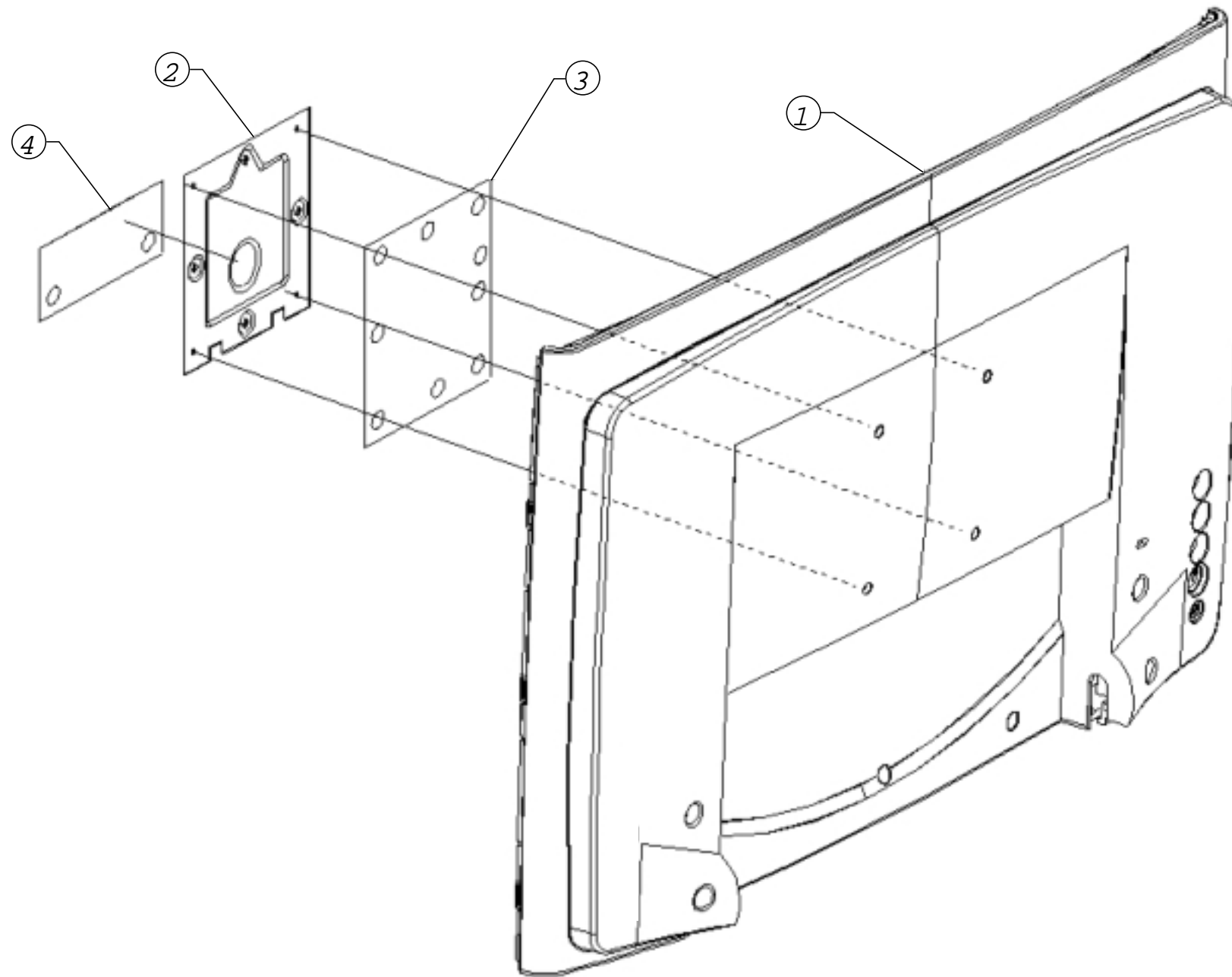
10	SCREW MACHINE	6003-000154	4	BH,+ ,M4,L8,NI PLT	S A
9	SCREW TAPTITE	6003-001319	3	BH,+ ,M3,L10,NI PLT	S A
8	UNIT STAND	BN75-00242A	1		S A
7	UNIT SHIELD D SUB	BN90-00046A	1	SPT E T0.5	S A
6	SCREW TAPTITE	6003-000276	10	BH,B,M3,L10	S A
5	SCREW TAPTITE	6003-000117	10	BH,B,M3,L6	S A
4	UNIT REAR COVER	BN90-00047A	1	ABS HB IV16(SV-012P)	S A
3	BRKT SUPPORT	BN70-00192A	2	SECC T0.8	S N A
2	UNIT SHIELD PCB	BN75-00235A	1	SECC T0.8	S A
1	UNIT COVER FRONT	BN90-00020G	1	ABS HB IV16 (FRONT : GR-806P, GRILL : SV-012P)	S A
No	Part Name	Code No	Q'TY	Specification	Remark

6-1-2 LS15N13W Front



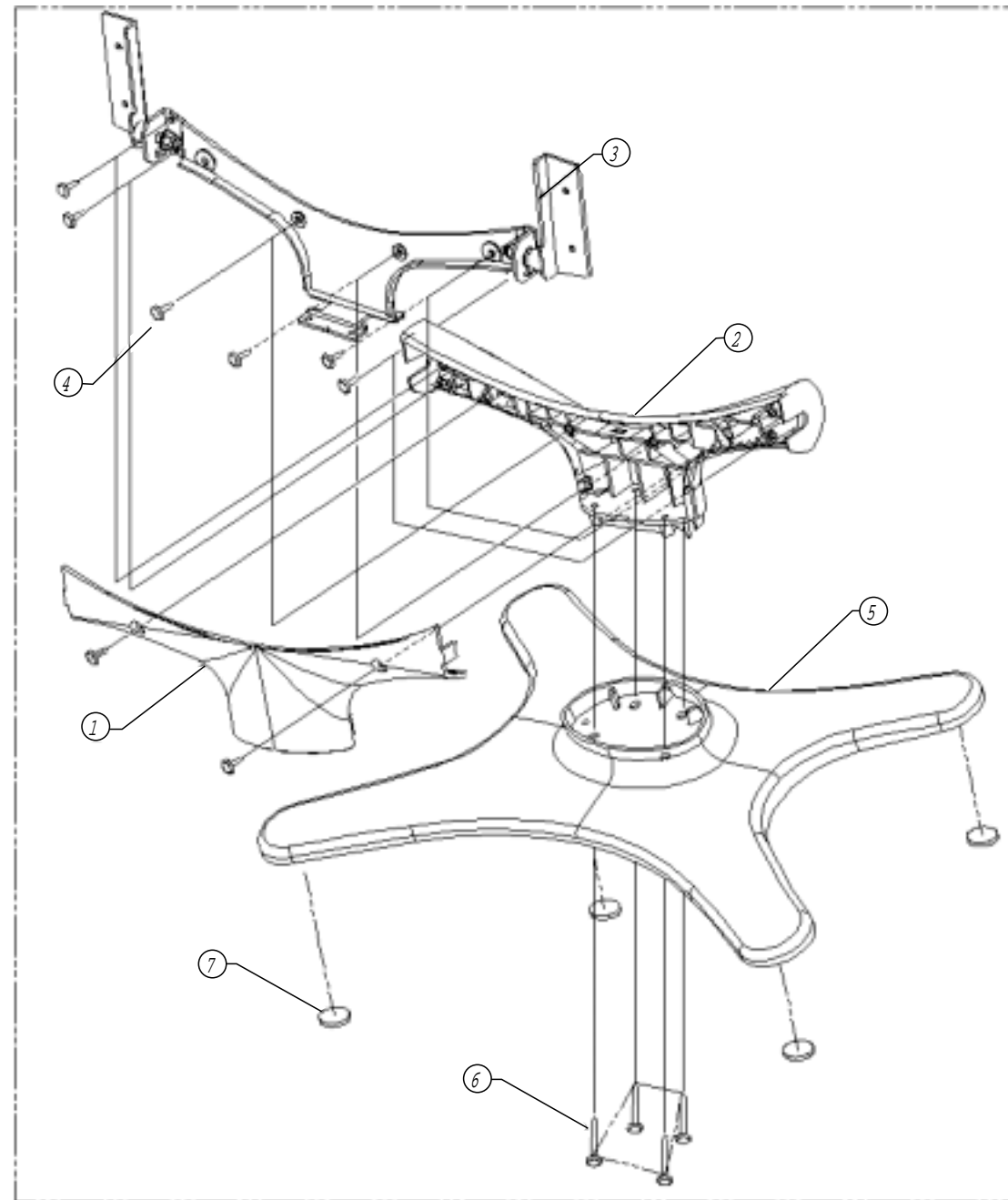
BN90-00020G	11	SCREM-TAPTITE	6003-000276	BH, M3, L10	19	SA
	10	SPEAKER SYSTEM(L)	BN59-00263A	240mm	1.01(s)	SA
	9	SPEAKER SYSTEM(R)	BN59-00264A	590mm	1.01(s)	SA
	8	GRILL-SPEAKER	BN63-00106A	ABS HB GR60(SPRAY : SV-012P)	1(L/R)	SNA
	7	IR SENSER PCB	BN59-00234A	REMOCON SENSING PCB	1	SA
	6	FUNCTION PCB	BN59-00233A		1	SA
	5	SCPEW-TAPTITE	6003-000259	BH, M3, L8	2	SA
	4	LOGO BADGE	BN64-00031A	AL 40, IX6, 3XI, 4 SILVER	1	SNA
	3	LENS LED	BN67-00020A	PC CLEAR	1	SA
	2	KNOB-FUNCTION	BN64-00048A	ABS+PC (CHROME COATING)	1	SNA
1	COVER-FRONT	BN63-00104A	ABS HB IV16(SPRAY : GY-806P)	1	SNA	
UNIT CODE NO.	NO	PART NAME	CODE NO.	SPECIFICATION	Q'TY	REMARK

6-1-3 LS15N13W Rear



BN90-00047A	4	HIMERON SHEET		HIMERON SHEET.T1.O. 99mm*37mm	1	-
	3	HIMERON SHEET		HIMERON SHEET.T1.O. 95mm*95mm	1	-
	2	BRKT VESA	BN70-00176A	SECC T1, 0	1	SNA
	1	COVER REAR	BN63-00105A	ABS. ABS+PC	1	SNA
UNIT CODE NO.	NO	PATR NAME	CODE NO.	MATERIAL	Q'TY	REMARK

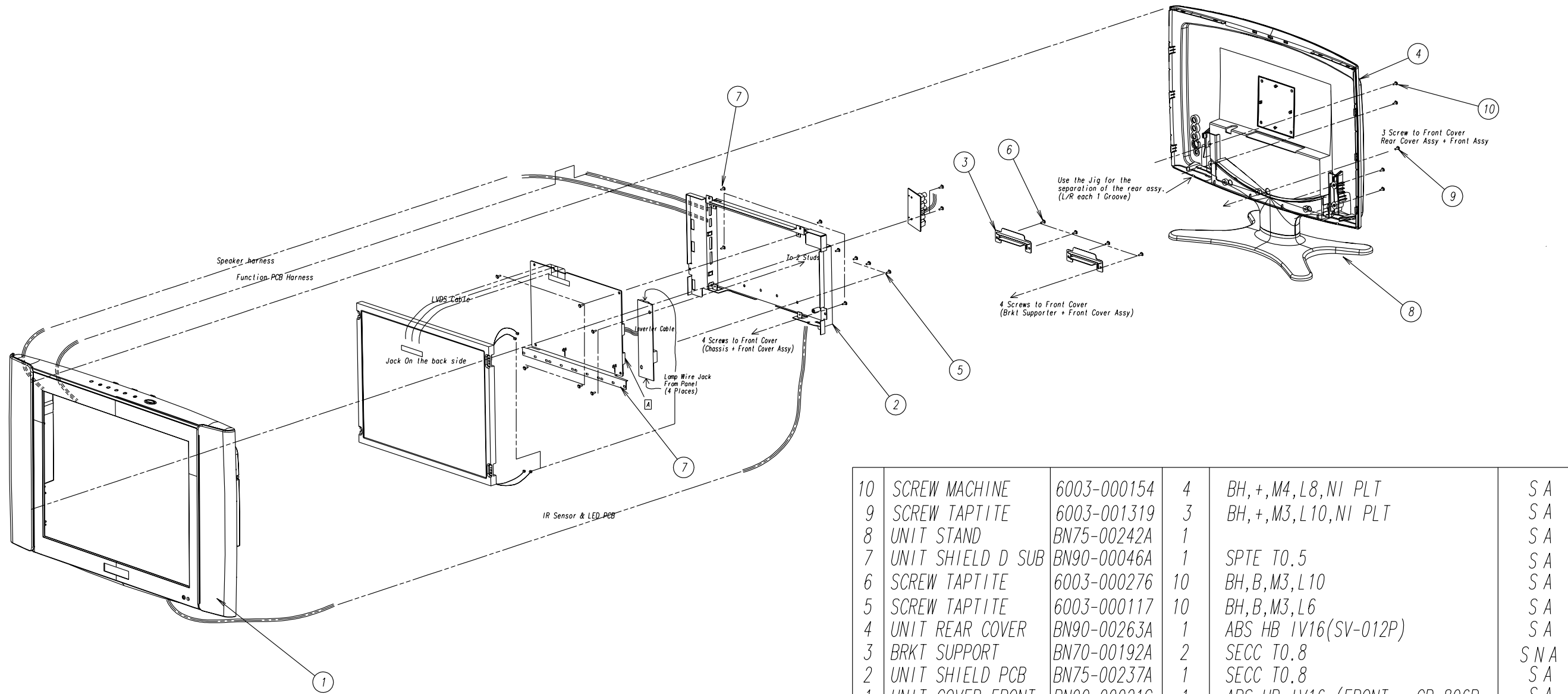
6-1-4 LS15N13W Stand



BN75-00242A	7	RUBBER-LEG	BH73-60339A	SLC1400, EVA, GRAY, 65HB	4	SNA
	6	SCREW-TAPTITE	6003-001315	BH, +, M4, L20, ZPC(YEL)	4	SA
	5	STAND BASE	BN72-00256A	AL DIE CASTING	1	SNA
	4	SCREW-TAPTITE	6003-000009	BH, +, M4, L16	8	SA
	3	ASS'Y HINGE	BN75-00211A	SECC, T2. 0	1	SNA
	2	STAND REAR	BN72-00254A	ABS HB IV16	1	SNA
	1	STAND FRONT	BN72-00257A	ABS HB IV16	1	SNA
UNIT CODE NO	ON	PART NAME	CODE NO.	MATERIAL	Q'TY	REMARK

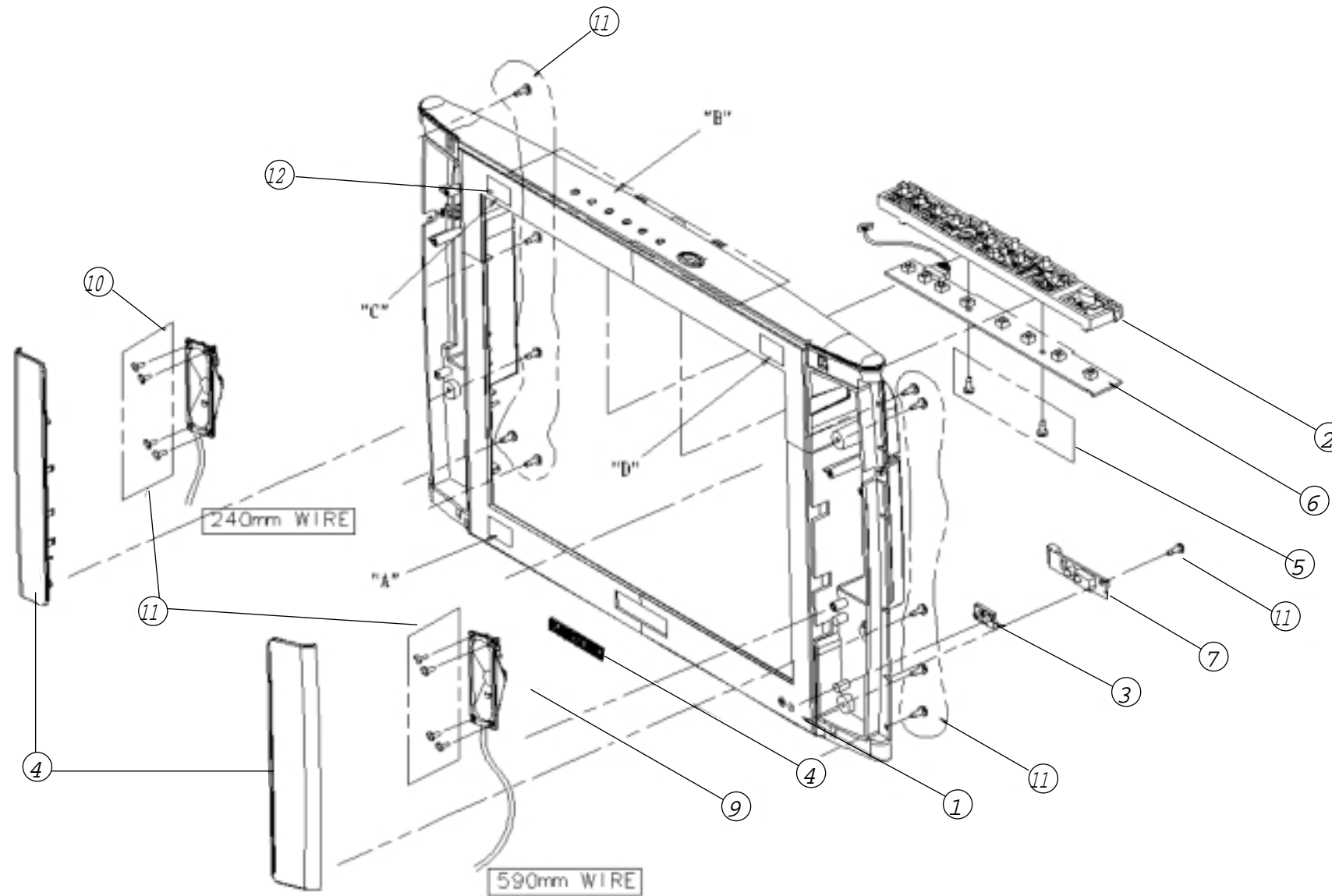
6-2-1 LS17N13W

CONFIDENTIAL



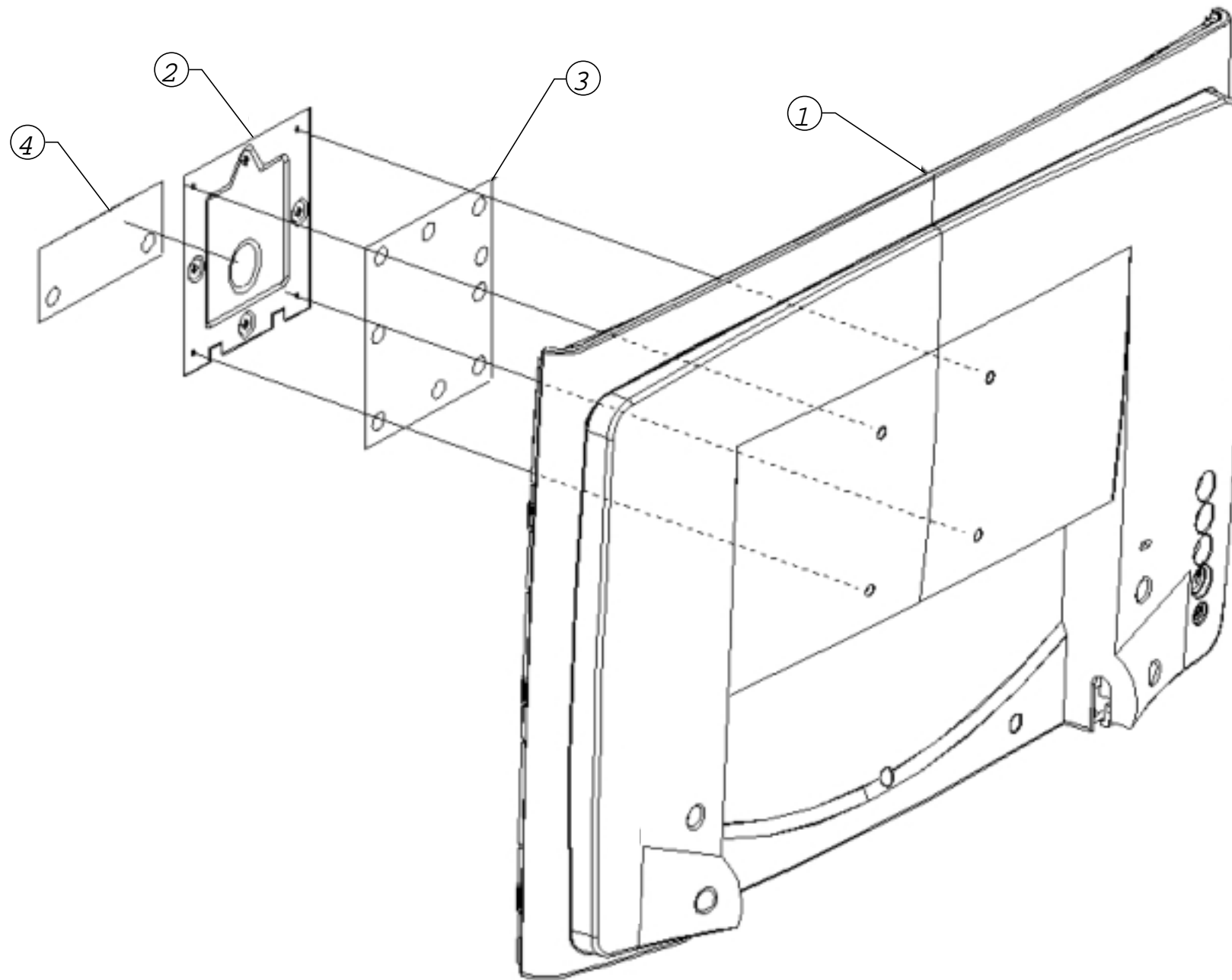
10	SCREW MACHINE	6003-000154	4	BH,+,M4,L8,NI PLT	SA
9	SCREW TAPTITE	6003-001319	3	BH,+,M3,L10,NI PLT	SA
8	UNIT STAND	BN75-00242A	1		SA
7	UNIT SHIELD D SUB	BN90-00046A	1	SPT E T0.5	SA
6	SCREW TAPTITE	6003-000276	10	BH,B,M3,L10	SA
5	SCREW TAPTITE	6003-000117	10	BH,B,M3,L6	SA
4	UNIT REAR COVER	BN90-00263A	1	ABS HB IV16(SV-012P)	SA
3	BRKT SUPPORT	BN70-00192A	2	SECC T0.8	SNA
2	UNIT SHIELD PCB	BN75-00237A	1	SECC T0.8	SA
1	UNIT COVER FRONT	BN90-00021G	1	ABS HB IV16 (FRONT : GR-806P, GRILL : SV-012P)	SA
No	Part Name	Code No	Q'TY	Specification	Remark

6-2-2 LS17N13W Front



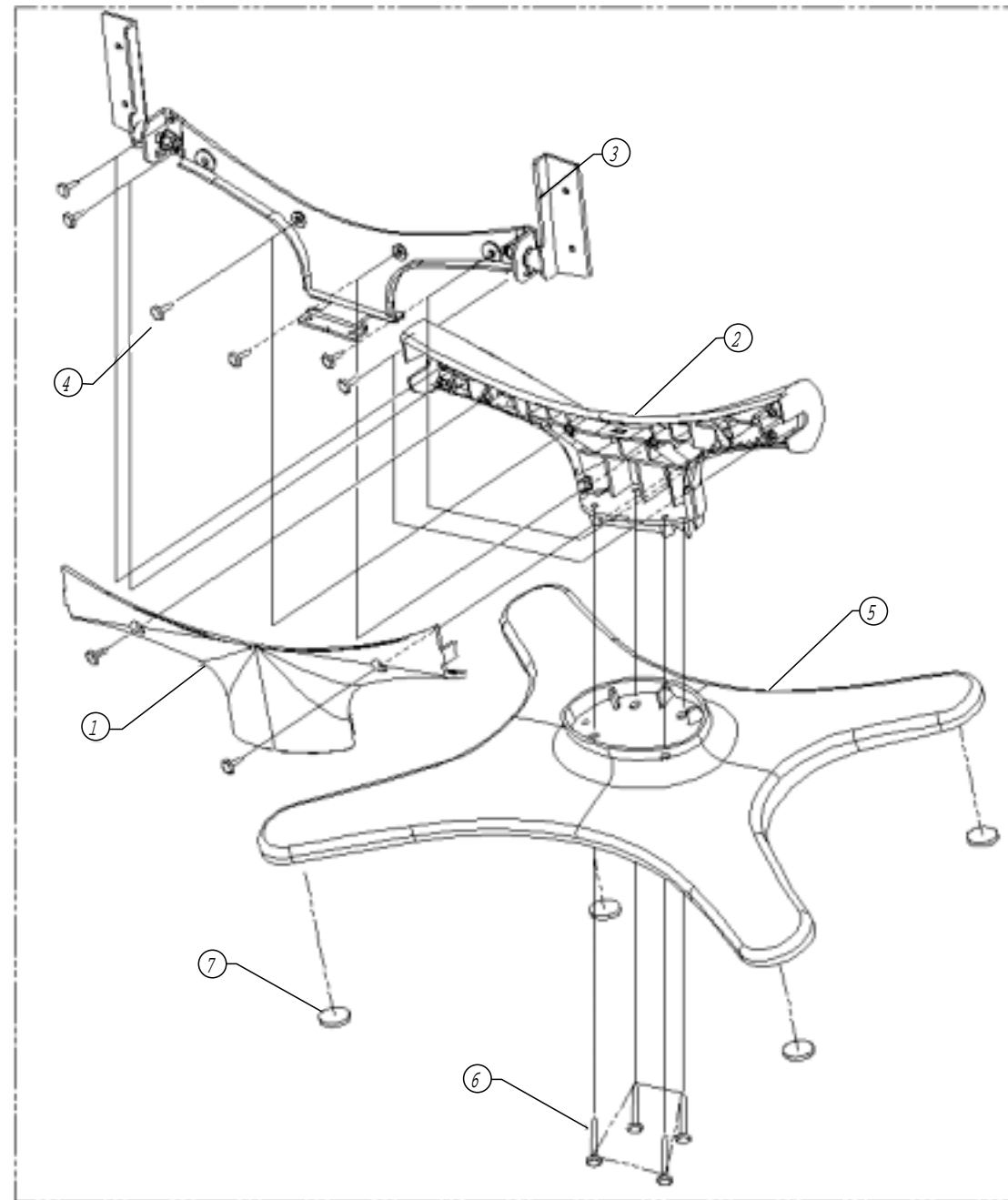
BN90-00021G	11	SCREM-TAPTITE	6003-000276	BH, M3, L10	19	SA
	10	SPEAKER SYSTEM(L)	BN59-00263A	240mm	1.01(s)	SA
	9	SPEAKER SYSTEM(R)	BN59-00274A	630mm : BLUE COLOR	1.01(s)	SA
	8	GRILL-SPEAKER	BN63-00106A	ABS HB GR60(SPRAY : SV-012P)	1(L/R)	SNA
	7	IR SENSER PCB	BN59-00234A	REMOCON SENSING PCB	1	SA
	6	FUNCTION PCB	BN59-00233A		1	SA
	5	SCPEW-TAPTITE	6003-000259	BH, M3, L8	2	SA
	4	LOGO BADGE	BN64-00031A	AL 40, IX6, 3XI, 4 SILVER	1	SNA
	3	LENS LED	BN67-00020A	PC CLEAR	1	SA
	2	KNOB-FUNCTION	BN64-00048A	ABS+PC (CHROME COATING)	1	SNA
1	COVER-FRONT	BN63-00101A	ABS HB IV16(SPRAY : GY-806P)	1	SNA	
UNIT CODE NO.	NO	PART NAME	CODE NO.	SPECIFICATION	Q'TY	REMARK

6-2-3 LS17N13W Rear



BN90-00263A	4	HIMERON SHEET		HIMERON SHEET.T1.O. 99mm*37mm	1	—
	3	HIMERON SHEET		HIMERON SHEET.T1.O. 95mm*95mm	1	—
	2	BRKT VESA	BN70-00176A	SECC T1, 0	1	SNA
	1	COVER REAR	BN63-00102A	ABS HB IV16	1	SNA
UNIT CODE NO.	NO	PATR NAME	CODE NO.	MATERIAL	Q'TY	REMARK

6-2-4 LS17N13W Stand



BN75-00242A	7	RUBBER-LEG	BH73-60339A	SLC1400, EVA, GRAY, 65HB	4	SNA
	6	SCREW-TAPTITE	6003-001315	BH, +, M4, L20, ZPC(YEL)	4	SA
	5	STAND BASE	BN72-00256A	AL DIE CASTING	1	SNA
	4	SCREW-TAPTITE	6003-000009	BH, +, M4, L16	8	SA
	3	ASS'Y HINGE	BN75-00211A	SECC, T2. 0	1	SNA
	2	STAND REAR	BN72-00254A	ABS HB IV16	1	SNA
	1	STAND FRONT	BN72-00257A	ABS HB IV16	1	SNA
UNIT CODE NO	ON	PART NAME	CODE NO.	MATERIAL	Q'TY	REMARK

Item No	Design LOC	Spec	SERVICE
LS15N13WX/XHK			
EB-LS15N13WX/XHK	-	1	SEC, W1-L01
BN90-00195E	-	ASSY STAND	GH17LS
6001-000154	STD+C/R	SCREW-MACHINE	BH,+,M4,L8,NI PLT,SM20C,-
BN75-00242A	CIS	UNIT-STAND	EOS 15AS/NS,-,ABS,-,SV-012P,-,SPRAY,-
6003-000009	CIS	SCREW-TAPTITE	BH,+,B,M4,L16,ZPC(YEL),SWRCH18
6003-001010	CIS	SCREW-TAPTITE	FH,+,B,M3,L6,ZPC(YEL),SWRCH18A
6003-001315	CIS	SCREW-TAPTITE	BH,+,B,M4,L20,ZPC(YEL),SWRCH18A
BH73-60339A	CIS	RUBBER-LEG	SLC1400,EVA,GRAY,65HB,DIA13*H2
BN61-00159A	CIS	FRAME-STAND BASE	EOS/NIKE,EG1,T1.2
BN61-00184A	CIS	STAND-BASE	ES15AS,ABS PC,GR40,SV-012P
BN72-00254A	CIS	STAND-COVER REAR	EOS 15,ABS,HB,IV16,SPRAY
BN72-00257A	CIS	STAND FRONT	EOS 15,ABS,HB,16,SPRAY
BN75-00211A	CIS	UNIT-HINGE	EOS15,-,SECC T2.0,-,-,-,-,-
BN90-00232A	-	ASSY COVER REAR	NK15NS
BN90-00047A	CIS	ASSY REAR	NK15NS,-,ABS HB,-,SV-012P,-,-,SPRAY
BN63-00105A	CIS	COVER-REAR	NIKE 15",ABS,-,-,-,HB,-,IV16,NONE,1.5
BN70-00176A	CIS	BRACKET VESA	RB15AS,SECC,1
BN90-00376J	-	ASSY COVER FRONT	LS15N13WX/SAP,SAPL
6003-001319	C/F+C/R	SCREW-TAPTITE	BH,+,B,M3,L10,NI PLT,SWRCH18A,-
BN90-00020G	CIS	ASSY COVER FRONT	NIKE 15 AS/NS,ABS HB IV16,GR-806P,SPRAY,TANTUS
6003-000259	CIS	SCREW-TAPTITE	BH,+,B,M3,L8,ZPC(YEL),SWRCH18A
6003-000276	CIS	SCREW-TAPTITE	BH,+,B,M3,L10,ZPC(YEL),SWCH10
BN59-00233A	CIS	BOARD-FUNCTION	NK17NS,-,-,FUNCTION PCB,-,-,-
BN59-00234A	CIS	BOARD-IR PCB	NK17NS,-,-,IR PCB,-,-,-
BN59-00263A	CIS	SPEAKER SYSTEM	EOS/NIKE17,EOS/NIKE17-L,100X42,WIRE:240MM
BN59-00264A	CIS	SPEAKER SYSTEM	EOS/NIKE17,EOS/NIKE17-R,100X42,WIRE:590MM
BN63-00104A	CIS	COVER-FRONT	NIKE 17",ABS,-,-,-,HB,-,IV16,NONE,1.5
BN63-00106A	CIS	COVER-GRILL	NIKE 15",ABS,-,-,-,HB,-,IV16,NONE,1.5
BN64-00031A	CIS	BADGE-BRAND	RB15AS,AL,T1.4,6.3,40.1,-,SILVER,-
BN64-00048A	CIS	KNOB-FUNCTION	NIKE 17",ABS,-,-,-,HB,IV16,-,SPRAY
BN67-00020A	CIS	LENS-LED	EOS15,ACRYL,CLEAR,-,-,-,-
BN91-00234B	-	ASSY LCD	NK15NS
BN07-00054A	CIS	LCD	LTM153W1-L01,GH15LS,8BIT,368.0*236.0*15.3,16.19M,-,0.2895*0.2895,-,-,AMLCD/1 LVD
BN91-00347A	-	ASSY SHIELD	NK15SO
0203-001160	CIS	TAPE-FILAMENT	SCOTCH#8915,T0.16,W48,L55M,TRP
6003-000117	IN/PCB+SH/PCB	SCREW-TAPTITE	BH,+,B,M3,L6,ZPC(YEL),SWRCH18A
6003-000276	C/F+AUD/PCB	SCREW-TAPTITE	BH,+,B,M3,L10,ZPC(YEL),SWCH10
6003-000276	C/F+B/SPT	SCREW-TAPTITE	BH,+,B,M3,L10,ZPC(YEL),SWCH10
BN39-00080A	CIS	CABLE RCA-HARNESS	NK17NS,UL2835#28,UL/CSA,20P,-,-,#28,12507HS-20,12507HS-20,BK,-,-,130MM,2835#28,S
BN39-00248A	CIS	LEAD CONNECTOR-ASSY	NK17AS,UL2835#28,UL/CSA,12P,#28,SMH200-12,12505HS-12,BK,230MM,2835#28,SJ02-01-00
BN59-00215B	CIS	BOARD-AV JACK ASSY	NK17AS,AV-JACK BOARD ASS'Y
BN63-00221A	CIS	GASKET	NK17AS,CONDUCTIVE FABRIC,3MM,20MM,370MM,GRAY,71TSSK 20-3-370-13,71TSSK 20-3-370-
BN63-00222A	CIS	GASKET	NK17AS,CONDUCTIVE FABRIC,10MM,17MM,35MM,GRAY,71TSSK 17-10-35-13,71TSSK 17-10-35-

BN68-00195W	CIS	LABEL-MARK	SEC(EB) PANNEL,ART-PAPER 100G,-,30,10,-,BLK,WHT,-,-	N
BN70-00192A	CIS	BRACKET-SUPPORT	RB15AS,SECC,0.8	N
BN91-00386D	-	ASSY MISC--ADAPTOR	NK15SO	N
BN44-00063A	CIS	ADAPTOR	AD-4914N,EOS17,100-240VAC,47 - 63 HZ,+14VDC,3.5A,-,49W,-,0 TO +40 C,120*63*31,SA	Y
BN91-00414A	-	ASSY CHASSIS	NK15SO	Y
BN94-00318A	-	ASSY PCB MAIN	NK15SO	N
0201-001223	CIS	ADHESIVE-TS	HT-130S,RED,700+/- 50,-	N
0202-001044	CIS	SOLDER-WIRE.	S63S-W3.0,S63S,D3,63Sn/37Pb,-	N
0202-001046	CIS	SOLDER-WIRE FLUX	CF-110VH-2A,-,-,-,-	N
0202-001222	CIS	SOLDER-WIRE FLUX	RS-107,RS60-1.2AA,D1.2,SN60/PB40,-	N
0204-001095	CIS	THINNER	#4520,-,-,-	N
0903-001194	ICA1	IC-MICROCONTROLLER	3P863,8Bit,SDIP,42P,600MIL,12MHz,ST,CMOS,PLASTIC,5V,-,-40to+85C,1040BYTE,48KBYTE	Y
2401-000010	C845	C-AL	220uF,20%,16V,GP,-,6.3x11mm,2.	Y
2401-000010	C851	C-AL	220uF,20%,16V,GP,-,6.3x11mm,2.	Y
2401-000010	C857	C-AL	220uF,20%,16V,GP,-,6.3x11mm,2.	Y
2401-001363	C971	C-AL	470uF,20%,16V,GP,TP,10x12.5,5	Y
2401-001363	C981	C-AL	470uF,20%,16V,GP,TP,10x12.5,5	Y
2401-003757	C876	C-AL	470UF,20%,10V,WT,TP,8X11.5MM,3.5	Y
2409-001044	C847	C-ORGANIC	100UF,+20%,16V,WT,TP,8X10.5,5	Y
2701-000146	L151	INDUCTOR-AXIAL	2.2uH,10%,2.5x3.4mm	Y
2701-000146	L152	INDUCTOR-AXIAL	2.2uH,10%,2.5x3.4mm	Y
2701-000146	L801	INDUCTOR-AXIAL	2.2uH,10%,2.5x3.4mm	Y
2701-000146	L804	INDUCTOR-AXIAL	2.2uH,10%,2.5x3.4mm	Y
3701-001219	CN401	CONNECTOR-DSUB	15P,3R,FEMALE,ANGLE,AUF	Y
3704-001071	ICA1_SOCKET	SOCKET-IC	42P,DIP,SN,1.778mm	Y
3711-000057	CN706_1	CONNECTOR-HEADER	BOX,3P,1R,2.5mm,ANGLE,SN	N
3711-004270	CN501	CONNECTOR-HEADER	BOX,2P,1R,2MM,ANGLE,SN	N
3711-004386	CN502	CONNECTOR-HEADER	BOX,3P,1R,2mm,ANGLE,SN	N
3722-000110	CN810	JACK-DC POWER	1P,-,NI,BLACK,-	N
3722-000117	CN801	JACK-DC POWER	3P,3.5MM,AG,BLK,NO	N
3722-001055	CN403	JACK-PHONE	5P/2C,3.6PI,AG,BLK,#16-22	N
3722-001792	SK407	JACK-PIN	2P,8.3MM,AU,WHT/RED,-	Y
3722-001792	SK412	JACK-PIN	2P,8.3MM,AU,WHT/RED,-	Y
3722-001793	SK404	JACK-PIN	3P,8.3MM,AU,GRN/BLU/RED,-	Y
3722-001793	SK409	JACK-PIN	3P,8.3MM,AU,GRN/BLU/RED,-	Y
BN39-00002A	CIS	CBF-HARNESS	-,60,BLU/WHT,-,26,-	N
BN39-00247A	CIS	LEAD CONNECTOR-ASSY	NK15AS,UL2835#28,UL/CSA,6P,#28,12505HS-06,12505HS-06,BK,160MM,2835#28,SJ02-01-00	Y
BN40-00009A	CN888	TUNER	TCPS9091PD27A,PAL,HYPER,38.9MHZ,2.5V,75 OHM,75 OHM,DIN,5V,TR	Y
BN44-00056B	CIS	INVERTER	GH15IS,SIC1542T,48KHZ,11.5 14.5,3.6MARMS,6.8MARMS,48KHZ,140*37.0*17.0,4LAMP,48KH	Y
BN83-00065A	CIS	CKD-BN44-00056A	BN44-00056A,1203-000560	N
BN83-00066A	CIS	CKD-BN44-00056A	BN44-00056A,1201-000471	N
BN83-00067A	CIS	CKD-BN44-00056A	BN44-00056A,1202-000104	N
BN83-00068A	CIS	CKD-BN44-00056A	BN44-00056A,0504-000158	N
BN83-00069A	CIS	CKD-BN44-00056A	BN44-00056A,0501-000457	N
BN83-00070A	CIS	CKD-BN44-00056A	BN44-00056A,0504-000129	N
BN83-00071A	CIS	CKD-BN44-00056A	BN44-00056A,0501-000462	N
BN83-00072A	CIS	CKD-BN44-00056A	BN44-00056A,0505-001160	N

BN83-00073A	CIS	CKD-BN44-00056A	BN44-00056A,0501-002186	N
BN83-00074A	CIS	CKD-BN44-00056A	BN44-00056A,0407-000114	N
BN83-00075A	CIS	CKD-BN44-00056A	BN44-00056A,0402-001110	N
BN83-00076A	CIS	CKD-BN44-00056A	BN44-00056A,0407-000122	N
BN83-00077A	CIS	CKD-BN44-00056A	BN44-00056A,0407-000116	N
BN83-00078A	CIS	CKD-BN44-00056A	BN44-00056A,2401-003400	N
BN83-00079A	CIS	CKD-BN44-00056A	BN44-00056A,2301-001336	N
BN83-00080A	CIS	CKD-BN44-00056A	BN44-00056A,2201-002122	N
BN83-00081A	CIS	CKD-BN44-00056A	BN44-00056A,2203-000206	N
BN83-00082A	CIS	CKD-BN44-00056A	BN44-00056A,2203-001458	N
BN83-00083A	CIS	CKD-BN44-00056A	BN44-00056A,2203-000455	N
BN83-00084A	CIS	CKD-BN44-00056A	BN44-00056A,2203-000590	N
BN83-00085A	CIS	CKD-BN44-00056A	BN44-00056A,2203-001130	N
BN83-00086A	CIS	CKD-BN44-00056A	BN44-00056A,2203-002793	N
BN83-00089A	CIS	CKD-BN44-00056A	BN44-00056A,2007-000794	N
BN83-00092A	CIS	CKD-BN44-00056A	BN44-00056A,2007-000872	N
BN83-00095A	CIS	CKD-BN44-00056A	BN44-00056A,2007-000122	N
BN83-00097A	CIS	CKD-BN44-00056A	BN44-00056A,2007-001114	N
BN83-00098A	CIS	CKD-BN44-00056A	BN44-00056A,2007-000269	N
BN83-00102A	CIS	CKD-BN44-00056A	BN44-00056A,2007-000934	N
BN83-00103A	CIS	CKD-BN44-00056A	BN44-00056A,2007-000070	N
BN83-00104A	CIS	CKD-BN44-00056A	BN44-00056A,2007-002422	N
BN83-00105A	CIS	CKD-BN44-00056A	BN44-00056A,2007-000691	N
BN83-00106A	CIS	CKD-BN44-00056A	BN44-00056A,2104-000224	N
BN83-00108A	CIS	CKD-BN44-00056A	BN44-00056A,3601-001038	N
BN83-00110A	CIS	CKD-BN44-00056A	BN44-00056A,3711-000556	N
BN83-00111A	CIS	CKD-BN44-00056A	BN44-00056A,3711-004702	N
BN83-00113A	CIS	CKD-BN44-00056A	BN44-00056A,LH72-00170A	N
BN83-00137A	CIS	CKD-BN44-00056A	BN44-00056A,2007-000091	N
BN83-00150A	CIS	CKD-BN44-00056B	GG15,CKD-BN44-00056B	N
BN83-00151A	CIS	CKD-BN44-00056B	GG15,BN44-00056B	N
BN83-00152A	CIS	CKD-BN44-00056B	GG15,BN44-00056B	N
BN83-00153A	CIS	CKD-BN44-00056B	GG15,BN44-00056B	N
BN83-00154A	CIS	CKD-BN44-00056B	GG15,BN44-00056B	N
BN83-00155A	CIS	CKD-BN44-00056B	GG15,BN44-00056B	N
BN83-00156A	CIS	CKD-BN44-00056B	GG15,BN44-00056B	N
BN83-00157A	CIS	CKD-BN44-00056B	GG15,BN44-00056B	N
BN83-00158A	CIS	CKD-BN44-00056B	GG15,BN44-00056B	N
BN83-00159A	CIS	CKD-BN44-00056B	GG15,BN44-00056B	N
BN83-00160A	CIS	CKD-BN44-00056B	GG15,BN44-00056B	N
BN83-00161A	CIS	CKD-BN44-00056B	GG15,BN44-00056B	N
BN83-00162A	CIS	CKD-BN44-00056B	GG15,BN44-00056B	N
BN83-00163A	CIS	CKD-BN44-00056B	GG15,BN44-00056B	N
BN62-00003A	HS200	HEAT SINK-IC	NK,SUN,A6063S,T2.5,W28,L28,-,BH62,-	N
BN62-00003A	HS300	HEAT SINK-IC	NK,SUN,A6063S,T2.5,W28,L28,-,BH62,-	N
BN75-00235A	CIS	UNIT-SHIELD PCB	NIKE 15",- ,SPTE TO.5,-,-,-,-,-	N
BN90-00046A	CIS	ASSY SHIELD-D-SUB	NK15NS,- ,SPTE,TO.5,-,-,-,-,-	N

BN96-00048A	CIS	ASSY MISC P-SHIELD COVER	NK15NS,NK17NS	N
BN39-00254A	CIS	LEAD CONNECTOR-ASSY	NK15AS,UL1015#18,UL/CSA,1P,BLK,#18,35750-1010,35798-9810,BK,100MM,1015#18,SJ02-0	Y
BN63-00163A	CIS	GASKET	GH17PSS,CONDUCTIVE FABRIC,8MM,60MM,90MM,GRAY,71TSSK 60-8-90-13,71TSSK 60-8-90-13	N
BN63-00206A	CIS	SHIELD-COVER	NK15NS,SPT E,TO.3	N
BN97-00096W	CIS	ASSY MICOM	NK15SO	Y
1102-001129	IC620	IC-EPROM	M27W401,512KX8BIT,PLCC,32P,11.35X13.89MM,80NS,3.3V,10%,PLASTIC,-40TO+85C,-,CMOS,	Y
BN46-00012W	CIS	S/W MICOM	NK15SO	N
BN97-00108A	CIS	ASSY SMD	NK15SO	N
0202-001162	CIS	SOLDER-CREAM	RMA-20-21L,S63,-,SN63/PB36.6/AG0.4,FLUX9.5%	N
0401-001056	D406	DIODE-SWITCHING	MMBD4148SE,75V,200MA,SOT-23,TP	Y
0401-001056	D407	DIODE-SWITCHING	MMBD4148SE,75V,200MA,SOT-23,TP	Y
0401-001056	D408	DIODE-SWITCHING	MMBD4148SE,75V,200MA,SOT-23,TP	Y
0401-001056	D409	DIODE-SWITCHING	MMBD4148SE,75V,200MA,SOT-23,TP	Y
0401-001056	D410	DIODE-SWITCHING	MMBD4148SE,75V,200MA,SOT-23,TP	Y
0401-001056	D411	DIODE-SWITCHING	MMBD4148SE,75V,200MA,SOT-23,TP	Y
0401-001056	D412	DIODE-SWITCHING	MMBD4148SE,75V,200MA,SOT-23,TP	Y
0401-001056	D413	DIODE-SWITCHING	MMBD4148SE,75V,200MA,SOT-23,TP	Y
0401-001056	D414	DIODE-SWITCHING	MMBD4148SE,75V,200MA,SOT-23,TP	Y
0401-001056	D501	DIODE-SWITCHING	MMBD4148SE,75V,200MA,SOT-23,TP	Y
0401-001056	D681	DIODE-SWITCHING	MMBD4148SE,75V,200MA,SOT-23,TP	Y
0401-001056	D804	DIODE-SWITCHING	MMBD4148SE,75V,200MA,SOT-23,TP	Y
0401-001056	D805	DIODE-SWITCHING	MMBD4148SE,75V,200MA,SOT-23,TP	Y
0402-000553	D802	DIODE-RECTIFIER	SS24,40V,2.0A,DO-214AA	Y
0402-001098	D803	DIODE-RECTIFIER	SK34,40V,3A,SMC,TP	Y
0403-000579	D401	DIODE-ZENER	BZX84C5V1,5.1V,5%,200mW,SOT-23	Y
0403-000579	D402	DIODE-ZENER	BZX84C5V1,5.1V,5%,200mW,SOT-23	Y
0403-000579	D403	DIODE-ZENER	BZX84C5V1,5.1V,5%,200mW,SOT-23	Y
0403-000579	D404	DIODE-ZENER	BZX84C5V1,5.1V,5%,200mW,SOT-23	Y
0403-000579	D601	DIODE-ZENER	BZX84C5V1,5.1V,5%,200mW,SOT-23	Y
0403-000579	D602	DIODE-ZENER	BZX84C5V1,5.1V,5%,200mW,SOT-23	Y
0403-000579	D604	DIODE-ZENER	BZX84C5V1,5.1V,5%,200mW,SOT-23	Y
0403-000579	DA01	DIODE-ZENER	BZX84C5V1,5.1V,5%,200mW,SOT-23	Y
0403-000579	DA02	DIODE-ZENER	BZX84C5V1,5.1V,5%,200mW,SOT-23	Y
0403-001052	D101	DIODE-ZENER	RD8.2MB,8.2V,7.7-8.64V,200mW,S	Y
0403-001052	D102	DIODE-ZENER	RD8.2MB,8.2V,7.7-8.64V,200mW,S	Y
0403-001052	D103	DIODE-ZENER	RD8.2MB,8.2V,7.7-8.64V,200mW,S	Y
0403-001052	D104	DIODE-ZENER	RD8.2MB,8.2V,7.7-8.64V,200mW,S	Y
0403-001052	D105	DIODE-ZENER	RD8.2MB,8.2V,7.7-8.64V,200mW,S	Y
0403-001052	D106	DIODE-ZENER	RD8.2MB,8.2V,7.7-8.64V,200mW,S	Y
0403-001052	D107	DIODE-ZENER	RD8.2MB,8.2V,7.7-8.64V,200mW,S	Y
0403-001052	D108	DIODE-ZENER	RD8.2MB,8.2V,7.7-8.64V,200mW,S	Y
0403-001052	D109	DIODE-ZENER	RD8.2MB,8.2V,7.7-8.64V,200mW,S	Y
0403-001052	D110	DIODE-ZENER	RD8.2MB,8.2V,7.7-8.64V,200mW,S	Y
0403-001052	D111	DIODE-ZENER	RD8.2MB,8.2V,7.7-8.64V,200mW,S	Y
0403-001052	D116	DIODE-ZENER	RD8.2MB,8.2V,7.7-8.64V,200mW,S	Y
0403-001052	D117	DIODE-ZENER	RD8.2MB,8.2V,7.7-8.64V,200mW,S	Y
0403-001052	D118	DIODE-ZENER	RD8.2MB,8.2V,7.7-8.64V,200mW,S	Y

0403-001052	D119	DIODE-ZENER	RD8.2MB, 8.2V, 7.7-8.64V, 200mW, S	Y
0403-001052	D120	DIODE-ZENER	RD8.2MB, 8.2V, 7.7-8.64V, 200mW, S	Y
0403-001052	D121	DIODE-ZENER	RD8.2MB, 8.2V, 7.7-8.64V, 200mW, S	Y
0403-001052	D122	DIODE-ZENER	RD8.2MB, 8.2V, 7.7-8.64V, 200mW, S	Y
0403-001052	D123	DIODE-ZENER	RD8.2MB, 8.2V, 7.7-8.64V, 200mW, S	Y
0403-001052	D543	DIODE-ZENER	RD8.2MB, 8.2V, 7.7-8.64V, 200mW, S	Y
0403-001052	D545	DIODE-ZENER	RD8.2MB, 8.2V, 7.7-8.64V, 200mW, S	Y
0403-001052	D570	DIODE-ZENER	RD8.2MB, 8.2V, 7.7-8.64V, 200mW, S	Y
0403-001052	D571	DIODE-ZENER	RD8.2MB, 8.2V, 7.7-8.64V, 200mW, S	Y
0403-001425	ZD801	DIODE-ZENER	BZX84C33, 31.0-35.0V, 350MW, SOT-23, TP	Y
0403-001435	D502	DIODE-ZENER	QZX363C5V6, 5.32-5.88, 200MW, SOT-363, TP	Y
0404-001166	D801	DIODE-SCHOTTKY	MBRM130LT3, 30V, 1000MA, DO-216AA, TP	Y
0404-001166	D880	DIODE-SCHOTTKY	MBRM130LT3, 30V, 1000MA, DO-216AA, TP	Y
0407-000123	D405	DIODE-ARRAY	DAN202K, 80V, 100MA, CA2-3, SOT-23, TP	Y
0501-000342	Q201	TR-SMALL SIGNAL	KSC1623-Y, NPN, 200mW, SOT-23, TP, 135-270	Y
0501-000342	Q501	TR-SMALL SIGNAL	KSC1623-Y, NPN, 200mW, SOT-23, TP, 135-270	Y
0501-000342	Q555	TR-SMALL SIGNAL	KSC1623-Y, NPN, 200mW, SOT-23, TP, 135-270	Y
0501-000342	Q601	TR-SMALL SIGNAL	KSC1623-Y, NPN, 200mW, SOT-23, TP, 135-270	Y
0501-000342	Q811	TR-SMALL SIGNAL	KSC1623-Y, NPN, 200mW, SOT-23, TP, 135-270	Y
0501-000342	QA01	TR-SMALL SIGNAL	KSC1623-Y, NPN, 200mW, SOT-23, TP, 135-270	Y
0501-000342	QA02	TR-SMALL SIGNAL	KSC1623-Y, NPN, 200mW, SOT-23, TP, 135-270	Y
0501-000342	QA03	TR-SMALL SIGNAL	KSC1623-Y, NPN, 200mW, SOT-23, TP, 135-270	Y
0501-000342	QA04	TR-SMALL SIGNAL	KSC1623-Y, NPN, 200mW, SOT-23, TP, 135-270	Y
0501-000342	QA05	TR-SMALL SIGNAL	KSC1623-Y, NPN, 200mW, SOT-23, TP, 135-270	Y
0501-000342	QA07	TR-SMALL SIGNAL	KSC1623-Y, NPN, 200mW, SOT-23, TP, 135-270	Y
0501-002080	Q602	TR-SMALL SIGNAL	2SC2412K, NPN, 200mW, SC-59, TP, 120-270	Y
0501-002080	Q711	TR-SMALL SIGNAL	2SC2412K, NPN, 200mW, SC-59, TP, 120-270	Y
0501-002080	Q713	TR-SMALL SIGNAL	2SC2412K, NPN, 200mW, SC-59, TP, 120-270	Y
0501-002080	Q808	TR-SMALL SIGNAL	2SC2412K, NPN, 200mW, SC-59, TP, 120-270	Y
0501-002080	Q812	TR-SMALL SIGNAL	2SC2412K, NPN, 200mW, SC-59, TP, 120-270	Y
0501-002080	Q813	TR-SMALL SIGNAL	2SC2412K, NPN, 200mW, SC-59, TP, 120-270	Y
0505-001170	IC808	FET-SILICON	SI9933ADY-T1, P, -20V, 3.4A, 0.06ohm, 2W, SO-8	Y
1001-001082	IC403	IC-VIDEO SWITCH	BA7657F, -, SOP, 24P, 300MIL, SINGL	Y
1001-001109	IC681	IC-ANALOG SWITCH	FST3125M, BUS SWITCH & CMOS, SO1C, 17P, 150MIL, QUAD, 7V, -40TO+85C, PLASTIC, -, 4.00HM, 5.	Y
1001-001109	ICA2	IC-ANALOG SWITCH	FST3125M, BUS SWITCH & CMOS, SO1C, 17P, 150MIL, QUAD, 7V, -40TO+85C, PLASTIC, -, 4.00HM, 5.	Y
1001-001109	ICB1	IC-ANALOG SWITCH	FST3125M, BUS SWITCH & CMOS, SO1C, 17P, 150MIL, QUAD, 7V, -40TO+85C, PLASTIC, -, 4.00HM, 5.	Y
1001-001177	IC011	IC-VIDEO SWITCH	TEA6425D, VIDEO SWITCH, SO1C, 20P, 300MIL, -, 8.8V, 0TO+70C, PLASTIC, -, -, -, 2UA, ST, -	Y
1001-001190	IC001	IC-ANALOG SWITCH	FST16233MTD, BUS SWITCH, TSSOP, 56P, 240MIL, -, 5.5V, -40TO+85C, PLASTIC, -, 200HM, 8.5NS, 7	Y
1002-001292	IC350	IC-A/D CONVERTER	AD9883AKST-110, 8BITS, QFP, 80P, 551MIL, ±0.5LSB, TR, CMOS, PLASTIC, 3.3V, -25TO+85C, 650M	Y
1003-001419	IC300	IC-DISPLAY DRIVER	MN82860, QFP, 208P, 1102MIL, -, -, TR, PLASTIC, 3.3V, -, 2.3W, -, -	Y
1103-000129	IC401	IC-EEPROM	24C02, 256x8BIT, SOP, 8P, 150MIL, 1	Y
1103-000138	IC603	IC-EEPROM	24C16, 2Kx8BIT, SOP, 8P, 150MIL, 10	Y
1105-001336	IC210	IC-DRAM	4S643232, 512Kx32x4Bit, TSOP, 86P, 400MIL, 60nS, 3.3V, 10%, PLASTIC, 0to+70C, 2mA, CMOS, TP	Y
1105-001336	IC211	IC-DRAM	4S643232, 512Kx32x4Bit, TSOP, 86P, 400MIL, 60nS, 3.3V, 10%, PLASTIC, 0to+70C, 2mA, CMOS, TP	Y
1201-001495	IC530	IC-AUDIO AMP	7050, SOP, 8P, 150MIL, DUAL, 26DB, PLASTIC, 6V, 0.25W, -, 40DB, -, -, 20NA, -	Y
1201-001681	IC501	IC-AUDIO AMP	1101, SOP, 30P, 433MIL, -, -, PLASTIC, 13.2V, -, 0to+70C, -, -, -, -, TP	Y
1203-000404	IC801	IC-DC/DC CONVERTER	34063, SOP, 8P, 150MIL, PLASTIC, 1.0/1.3V, -, 0TO+70C, 4.0MA, -, ST	Y

1203-000404	IC810	IC-DC/DC CONVERTER	34063, SOP, 8P, 150MIL, PLASTIC, 1.0/1.3V, -, 0TO+70C, 4.0MA, -, ST	Y
1203-001212	IC604	IC-VOL. DETECTOR	7029, SOT-89, 3P, -, PLASTIC, -, 500	Y
1203-001293	IC811	IC-POS1.FIXED REG.	033, TO-252, 3P, 6.5MIL, PLASTIC, 3	Y
1203-001448	IC804	IC-SWITCH VOL. REG.	2596, TO-263, 5P, -, PLASTIC, 4.750	Y
1203-001779	IC807	IC-POS1.FIXED REG.	7812, D2PAK, 3P, -, PLASTIC, 11.5/12.5V, -, -40TO+125CC, 1A, -, TP	Y
1203-001816	IC803	IC-POS1.FIXED REG.	78M08, TO-252, 3P, -, PLASTIC, 7.7/8.3V, 1.0W, -40TO+85C, 0.5A, -, TP	Y
1203-001830	IC805	IC-SWITCH VOL. REG.	2676, TO-263, 7P, -, PLASTIC, 3.234/3.336V, -, -40TO+125C, 3A, -, TP	Y
1203-001890	IC802	IC-VOLTAGE REGULATOR	3961, SOT223-5, 5P, -, PLASTIC, 2.5V, -, -40to+125C, 800mA, -, TR	Y
1203-001890	IC806	IC-VOLTAGE REGULATOR	3961, SOT223-5, 5P, -, PLASTIC, 2.5V, -, -40to+125C, 800mA, -, TR	Y
1204-001675	IC919	IC-SOUND PROCESSOR	MSP3451G, QFP, 80P, -, PLASTIC, 9V, 1000mW, 0to+70C, TR, Multistandard Sound	Y
1204-001911	IC200	IC-VIDEO PROCESS	DPTV-3D-6730, PQFP, 208P, 28X28MM, PLASTIC, 4.6V, -, 0TO+70C, TR, -	Y
1204-001912	IC601	IC-DECODER	SDA5550M, P-MQFP, 100P, -, PLASTIC, 3.3V, 1.5W, 0TO+70C, TR, -	Y
1204-001926	IC010	IC-VIDEO PROCESS	VPC3230D-C5, PQFP, 80P, -, PLASTIC, 6V, -, 0 TO 65C, TP, VPC3230D-C5	Y
1205-001740	IC901	IC-TRANSMITTER	DS90C385, TSSOP, 56P, 240MIL, PLASTIC, 4V, 1.63W, -10 TO +70C, ST, FPD LINK-85MHZ(LVDS)	Y
1206-000111	ICA4	IC-TIMER	KA555D/T.R, SOP, 8P, 150MIL, -, 18V	Y
2007-000052	RA03	R-CHIP	10Kohm, 1%, 1/16W, DA, TP, 1608	Y
2007-000052	RA07	R-CHIP	10Kohm, 1%, 1/16W, DA, TP, 1608	Y
2007-000052	RA08	R-CHIP	10Kohm, 1%, 1/16W, DA, TP, 1608	Y
2007-000052	RA09	R-CHIP	10Kohm, 1%, 1/16W, DA, TP, 1608	Y
2007-000052	RA11	R-CHIP	10Kohm, 1%, 1/16W, DA, TP, 1608	Y
2007-000052	RA12	R-CHIP	10Kohm, 1%, 1/16W, DA, TP, 1608	Y
2007-000052	RA14	R-CHIP	10Kohm, 1%, 1/16W, DA, TP, 1608	Y
2007-000052	RA15	R-CHIP	10Kohm, 1%, 1/16W, DA, TP, 1608	Y
2007-000052	RA16	R-CHIP	10Kohm, 1%, 1/16W, DA, TP, 1608	Y
2007-000052	RA18	R-CHIP	10Kohm, 1%, 1/16W, DA, TP, 1608	Y
2007-000052	RA38	R-CHIP	10Kohm, 1%, 1/16W, DA, TP, 1608	Y
2007-000052	RA45	R-CHIP	10Kohm, 1%, 1/16W, DA, TP, 1608	Y
2007-000052	RA49	R-CHIP	10Kohm, 1%, 1/16W, DA, TP, 1608	Y
2007-000052	RA50	R-CHIP	10Kohm, 1%, 1/16W, DA, TP, 1608	Y
2007-000052	RA55	R-CHIP	10Kohm, 1%, 1/16W, DA, TP, 1608	Y
2007-000070	R215	R-CHIP	0ohm, 5%, 1/16W, DA, TP, 1608	Y
2007-000070	R216	R-CHIP	0ohm, 5%, 1/16W, DA, TP, 1608	Y
2007-000070	R217	R-CHIP	0ohm, 5%, 1/16W, DA, TP, 1608	Y
2007-000070	R218	R-CHIP	0ohm, 5%, 1/16W, DA, TP, 1608	Y
2007-000070	R222	R-CHIP	0ohm, 5%, 1/16W, DA, TP, 1608	Y
2007-000070	R303	R-CHIP	0ohm, 5%, 1/16W, DA, TP, 1608	Y
2007-000070	R328	R-CHIP	0ohm, 5%, 1/16W, DA, TP, 1608	Y
2007-000070	R351	R-CHIP	0ohm, 5%, 1/16W, DA, TP, 1608	Y
2007-000070	R534	R-CHIP	0ohm, 5%, 1/16W, DA, TP, 1608	Y
2007-000070	R537	R-CHIP	0ohm, 5%, 1/16W, DA, TP, 1608	Y
2007-000070	R652	R-CHIP	0ohm, 5%, 1/16W, DA, TP, 1608	Y
2007-000070	R806	R-CHIP	0ohm, 5%, 1/16W, DA, TP, 1608	Y
2007-000070	R902	R-CHIP	0ohm, 5%, 1/16W, DA, TP, 1608	Y
2007-000070	RA32	R-CHIP	0ohm, 5%, 1/16W, DA, TP, 1608	Y
2007-000070	RA33	R-CHIP	0ohm, 5%, 1/16W, DA, TP, 1608	Y
2007-000070	RA36	R-CHIP	0ohm, 5%, 1/16W, DA, TP, 1608	Y
2007-000070	RA37	R-CHIP	0ohm, 5%, 1/16W, DA, TP, 1608	Y

2007-000074	RA02	R-CHIP	100ohm, 5%, 1/16W, DA, TP, 1608	Y
2007-000074	RA10	R-CHIP	100ohm, 5%, 1/16W, DA, TP, 1608	Y
2007-000074	RA13	R-CHIP	100ohm, 5%, 1/16W, DA, TP, 1608	Y
2007-000074	RA17	R-CHIP	100ohm, 5%, 1/16W, DA, TP, 1608	Y
2007-000074	RA19	R-CHIP	100ohm, 5%, 1/16W, DA, TP, 1608	Y
2007-000074	RA20	R-CHIP	100ohm, 5%, 1/16W, DA, TP, 1608	Y
2007-000074	RA24	R-CHIP	100ohm, 5%, 1/16W, DA, TP, 1608	Y
2007-000074	RA25	R-CHIP	100ohm, 5%, 1/16W, DA, TP, 1608	Y
2007-000074	RA26	R-CHIP	100ohm, 5%, 1/16W, DA, TP, 1608	Y
2007-000074	RA27	R-CHIP	100ohm, 5%, 1/16W, DA, TP, 1608	Y
2007-000074	RA28	R-CHIP	100ohm, 5%, 1/16W, DA, TP, 1608	Y
2007-000074	RA31	R-CHIP	100ohm, 5%, 1/16W, DA, TP, 1608	Y
2007-000074	RA47	R-CHIP	100ohm, 5%, 1/16W, DA, TP, 1608	Y
2007-000074	RA48	R-CHIP	100ohm, 5%, 1/16W, DA, TP, 1608	Y
2007-000074	RA51	R-CHIP	100ohm, 5%, 1/16W, DA, TP, 1608	Y
2007-000074	RA52	R-CHIP	100ohm, 5%, 1/16W, DA, TP, 1608	Y
2007-000074	RA53	R-CHIP	100ohm, 5%, 1/16W, DA, TP, 1608	Y
2007-000074	RA54	R-CHIP	100ohm, 5%, 1/16W, DA, TP, 1608	Y
2007-000074	RA56	R-CHIP	100ohm, 5%, 1/16W, DA, TP, 1608	Y
2007-000074	RB02	R-CHIP	100ohm, 5%, 1/16W, DA, TP, 1608	Y
2007-000074	RB03	R-CHIP	100ohm, 5%, 1/16W, DA, TP, 1608	Y
2007-000075	R639	R-CHIP	220ohm, 5%, 1/16W, DA, TP, 1608	Y
2007-000075	RA46	R-CHIP	220ohm, 5%, 1/16W, DA, TP, 1608	Y
2007-000076	R651	R-CHIP	330ohm, 5%, 1/16W, DA, TP, 1608	Y
2007-000076	R773	R-CHIP	330ohm, 5%, 1/16W, DA, TP, 1608	Y
2007-000076	R775	R-CHIP	330ohm, 5%, 1/16W, DA, TP, 1608	Y
2007-000076	R801	R-CHIP	330ohm, 5%, 1/16W, DA, TP, 1608	Y
2007-000077	R470	R-CHIP	470ohm, 5%, 1/16W, DA, TP, 1608	Y
2007-000077	R471	R-CHIP	470ohm, 5%, 1/16W, DA, TP, 1608	Y
2007-000077	R472	R-CHIP	470ohm, 5%, 1/16W, DA, TP, 1608	Y
2007-000077	R473	R-CHIP	470ohm, 5%, 1/16W, DA, TP, 1608	Y
2007-000077	R474	R-CHIP	470ohm, 5%, 1/16W, DA, TP, 1608	Y
2007-000077	R479	R-CHIP	470ohm, 5%, 1/16W, DA, TP, 1608	Y
2007-000077	R529	R-CHIP	470ohm, 5%, 1/16W, DA, TP, 1608	Y
2007-000077	R531	R-CHIP	470ohm, 5%, 1/16W, DA, TP, 1608	Y
2007-000077	R606	R-CHIP	470ohm, 5%, 1/16W, DA, TP, 1608	Y
2007-000077	RA39	R-CHIP	470ohm, 5%, 1/16W, DA, TP, 1608	Y
2007-000077	RA40	R-CHIP	470ohm, 5%, 1/16W, DA, TP, 1608	Y
2007-000077	RA41	R-CHIP	470ohm, 5%, 1/16W, DA, TP, 1608	Y
2007-000078	R015	R-CHIP	1Kohm, 5%, 1/16W, DA, TP, 1608	Y
2007-000078	R016	R-CHIP	1Kohm, 5%, 1/16W, DA, TP, 1608	Y
2007-000078	R017	R-CHIP	1Kohm, 5%, 1/16W, DA, TP, 1608	Y
2007-000078	R114	R-CHIP	1Kohm, 5%, 1/16W, DA, TP, 1608	Y
2007-000078	R553	R-CHIP	1Kohm, 5%, 1/16W, DA, TP, 1608	Y
2007-000078	R554	R-CHIP	1Kohm, 5%, 1/16W, DA, TP, 1608	Y
2007-000078	R555	R-CHIP	1Kohm, 5%, 1/16W, DA, TP, 1608	Y
2007-000078	R636	R-CHIP	1Kohm, 5%, 1/16W, DA, TP, 1608	Y

2007-000078	RA04	R-CHIP	1Kohm, 5%, 1/16W, DA, TP, 1608	Y
2007-000078	RA05	R-CHIP	1Kohm, 5%, 1/16W, DA, TP, 1608	Y
2007-000078	RA06	R-CHIP	1Kohm, 5%, 1/16W, DA, TP, 1608	Y
2007-000078	RA30	R-CHIP	1Kohm, 5%, 1/16W, DA, TP, 1608	Y
2007-000078	RA57	R-CHIP	1Kohm, 5%, 1/16W, DA, TP, 1608	Y
2007-000078	RB04	R-CHIP	1Kohm, 5%, 1/16W, DA, TP, 1608	Y
2007-000080	R434	R-CHIP	2Kohm, 5%, 1/16W, DA, TP, 1608	Y
2007-000082	R356	R-CHIP	3.3Kohm, 5%, 1/16W, DA, TP, 1608	Y
2007-000082	RB01	R-CHIP	3.3Kohm, 5%, 1/16W, DA, TP, 1608	Y
2007-000084	R028	R-CHIP	4.7Kohm, 5%, 1/16W, DA, TP, 1608	Y
2007-000084	R037	R-CHIP	4.7Kohm, 5%, 1/16W, DA, TP, 1608	Y
2007-000084	R064	R-CHIP	4.7Kohm, 5%, 1/16W, DA, TP, 1608	Y
2007-000084	R065	R-CHIP	4.7Kohm, 5%, 1/16W, DA, TP, 1608	Y
2007-000084	R127	R-CHIP	4.7Kohm, 5%, 1/16W, DA, TP, 1608	Y
2007-000084	R128	R-CHIP	4.7Kohm, 5%, 1/16W, DA, TP, 1608	Y
2007-000084	R129	R-CHIP	4.7Kohm, 5%, 1/16W, DA, TP, 1608	Y
2007-000084	R213	R-CHIP	4.7Kohm, 5%, 1/16W, DA, TP, 1608	Y
2007-000084	R221	R-CHIP	4.7Kohm, 5%, 1/16W, DA, TP, 1608	Y
2007-000084	R225	R-CHIP	4.7Kohm, 5%, 1/16W, DA, TP, 1608	Y
2007-000084	R239	R-CHIP	4.7Kohm, 5%, 1/16W, DA, TP, 1608	Y
2007-000084	R243	R-CHIP	4.7Kohm, 5%, 1/16W, DA, TP, 1608	Y
2007-000084	R302	R-CHIP	4.7Kohm, 5%, 1/16W, DA, TP, 1608	Y
2007-000084	R504	R-CHIP	4.7Kohm, 5%, 1/16W, DA, TP, 1608	Y
2007-000084	R527	R-CHIP	4.7Kohm, 5%, 1/16W, DA, TP, 1608	Y
2007-000084	R604	R-CHIP	4.7Kohm, 5%, 1/16W, DA, TP, 1608	Y
2007-000084	R631	R-CHIP	4.7Kohm, 5%, 1/16W, DA, TP, 1608	Y
2007-000084	R646	R-CHIP	4.7Kohm, 5%, 1/16W, DA, TP, 1608	Y
2007-000084	R648	R-CHIP	4.7Kohm, 5%, 1/16W, DA, TP, 1608	Y
2007-000084	R774	R-CHIP	4.7Kohm, 5%, 1/16W, DA, TP, 1608	Y
2007-000084	R776	R-CHIP	4.7Kohm, 5%, 1/16W, DA, TP, 1608	Y
2007-000084	R811	R-CHIP	4.7Kohm, 5%, 1/16W, DA, TP, 1608	Y
2007-000084	R821	R-CHIP	4.7Kohm, 5%, 1/16W, DA, TP, 1608	Y
2007-000084	R822	R-CHIP	4.7Kohm, 5%, 1/16W, DA, TP, 1608	Y
2007-000084	R841	R-CHIP	4.7Kohm, 5%, 1/16W, DA, TP, 1608	Y
2007-000084	R842	R-CHIP	4.7Kohm, 5%, 1/16W, DA, TP, 1608	Y
2007-000084	RA34	R-CHIP	4.7Kohm, 5%, 1/16W, DA, TP, 1608	Y
2007-000084	RA35	R-CHIP	4.7Kohm, 5%, 1/16W, DA, TP, 1608	Y
2007-000087	R512	R-CHIP	6.8Kohm, 5%, 1/16W, DA, TP, 1608	Y
2007-000087	R513	R-CHIP	6.8Kohm, 5%, 1/16W, DA, TP, 1608	Y
2007-000090	R006	R-CHIP	10KOHM, 5%, 1/16W, DA, TP, 1608	Y
2007-000090	R061	R-CHIP	10KOHM, 5%, 1/16W, DA, TP, 1608	Y
2007-000090	R107	R-CHIP	10KOHM, 5%, 1/16W, DA, TP, 1608	Y
2007-000090	R241	R-CHIP	10KOHM, 5%, 1/16W, DA, TP, 1608	Y
2007-000090	R248	R-CHIP	10KOHM, 5%, 1/16W, DA, TP, 1608	Y
2007-000090	R301	R-CHIP	10KOHM, 5%, 1/16W, DA, TP, 1608	Y
2007-000090	R327	R-CHIP	10KOHM, 5%, 1/16W, DA, TP, 1608	Y
2007-000090	R357	R-CHIP	10KOHM, 5%, 1/16W, DA, TP, 1608	Y

2007-000090	R358	R-CHIP	10KOHM, 5%, 1/16W, DA, TP, 1608	Y
2007-000090	R491	R-CHIP	10KOHM, 5%, 1/16W, DA, TP, 1608	Y
2007-000090	R516	R-CHIP	10KOHM, 5%, 1/16W, DA, TP, 1608	Y
2007-000090	R517	R-CHIP	10KOHM, 5%, 1/16W, DA, TP, 1608	Y
2007-000090	R607	R-CHIP	10KOHM, 5%, 1/16W, DA, TP, 1608	Y
2007-000090	R609	R-CHIP	10KOHM, 5%, 1/16W, DA, TP, 1608	Y
2007-000090	R617	R-CHIP	10KOHM, 5%, 1/16W, DA, TP, 1608	Y
2007-000090	R621	R-CHIP	10KOHM, 5%, 1/16W, DA, TP, 1608	Y
2007-000090	R622	R-CHIP	10KOHM, 5%, 1/16W, DA, TP, 1608	Y
2007-000090	R653	R-CHIP	10KOHM, 5%, 1/16W, DA, TP, 1608	Y
2007-000090	R674	R-CHIP	10KOHM, 5%, 1/16W, DA, TP, 1608	Y
2007-000090	R675	R-CHIP	10KOHM, 5%, 1/16W, DA, TP, 1608	Y
2007-000090	R682	R-CHIP	10KOHM, 5%, 1/16W, DA, TP, 1608	Y
2007-000090	R823	R-CHIP	10KOHM, 5%, 1/16W, DA, TP, 1608	Y
2007-000090	R824	R-CHIP	10KOHM, 5%, 1/16W, DA, TP, 1608	Y
2007-000090	R862	R-CHIP	10KOHM, 5%, 1/16W, DA, TP, 1608	Y
2007-000090	R863	R-CHIP	10KOHM, 5%, 1/16W, DA, TP, 1608	Y
2007-000090	R873	R-CHIP	10KOHM, 5%, 1/16W, DA, TP, 1608	Y
2007-000090	RA21	R-CHIP	10KOHM, 5%, 1/16W, DA, TP, 1608	Y
2007-000090	RA22	R-CHIP	10KOHM, 5%, 1/16W, DA, TP, 1608	Y
2007-000092	R406	R-CHIP	15Kohm, 5%, 1/16W, DA, TP, 1608	Y
2007-000092	R407	R-CHIP	15Kohm, 5%, 1/16W, DA, TP, 1608	Y
2007-000093	R505	R-CHIP	20Kohm, 5%, 1/16W, DA, TP, 1608	Y
2007-000093	R506	R-CHIP	20Kohm, 5%, 1/16W, DA, TP, 1608	Y
2007-000093	R514	R-CHIP	20Kohm, 5%, 1/16W, DA, TP, 1608	Y
2007-000093	R515	R-CHIP	20Kohm, 5%, 1/16W, DA, TP, 1608	Y
2007-000094	R605	R-CHIP	22Kohm, 5%, 1/16W, DA, TP, 1608	Y
2007-000094	R802	R-CHIP	22Kohm, 5%, 1/16W, DA, TP, 1608	Y
2007-000097	R199	R-CHIP	47Kohm, 5%, 1/16W, DA, TP, 1608	Y
2007-000097	R603	R-CHIP	47Kohm, 5%, 1/16W, DA, TP, 1608	Y
2007-000100	R405	R-CHIP	68Kohm, 5%, 1/16W, DA, TP, 1608	Y
2007-000102	R809	R-CHIP	100Kohm, 5%, 1/16W, DA, TP, 1608	Y
2007-000102	R864	R-CHIP	100Kohm, 5%, 1/16W, DA, TP, 1608	Y
2007-000102	R874	R-CHIP	100Kohm, 5%, 1/16W, DA, TP, 1608	Y
2007-000107	R404	R-CHIP	470Kohm, 5%, 1/16W, DA, TP, 1608	Y
2007-000109	R305	R-CHIP	1Mohm, 5%, 1/16W, DA, TP, 1608	Y
2007-000109	R309	R-CHIP	1Mohm, 5%, 1/16W, DA, TP, 1608	Y
2007-000109	R317	R-CHIP	1Mohm, 5%, 1/16W, DA, TP, 1608	Y
2007-000109	R503	R-CHIP	1Mohm, 5%, 1/16W, DA, TP, 1608	Y
2007-000109	RA29	R-CHIP	1Mohm, 5%, 1/16W, DA, TP, 1608	Y
2007-000113	R201	R-CHIP	33ohm, 5%, 1/16W, DA, TP, 1608	Y
2007-000113	R202	R-CHIP	33ohm, 5%, 1/16W, DA, TP, 1608	Y
2007-000113	R203	R-CHIP	33ohm, 5%, 1/16W, DA, TP, 1608	Y
2007-000113	R204	R-CHIP	33ohm, 5%, 1/16W, DA, TP, 1608	Y
2007-000113	R205	R-CHIP	33ohm, 5%, 1/16W, DA, TP, 1608	Y
2007-000113	R206	R-CHIP	33ohm, 5%, 1/16W, DA, TP, 1608	Y
2007-000118	R231	R-CHIP	390ohm, 5%, 1/16W, DA, TP, 1608	Y

2007-000120	R645	R-CHIP	680ohm, 5%, 1/16W, DA, TP, 1608	Y
2007-000219	R890	R-CHIP	1.2Kohm, 1%, 1/16W, DA, TP, 1608	Y
2007-000219	R894	R-CHIP	1.2Kohm, 1%, 1/16W, DA, TP, 1608	Y
2007-000239	R244	R-CHIP	1.5Kohm, 1%, 1/16W, DA, TP, 1608	Y
2007-000239	R612	R-CHIP	1.5Kohm, 1%, 1/16W, DA, TP, 1608	Y
2007-000239	R613	R-CHIP	1.5Kohm, 1%, 1/16W, DA, TP, 1608	Y
2007-000309	R027	R-CHIP	10ohm, 5%, 1/16W, DA, TP, 1608	Y
2007-000309	R062	R-CHIP	10ohm, 5%, 1/16W, DA, TP, 1608	Y
2007-000309	R063	R-CHIP	10ohm, 5%, 1/16W, DA, TP, 1608	Y
2007-000309	R214	R-CHIP	10ohm, 5%, 1/16W, DA, TP, 1608	Y
2007-000309	R219	R-CHIP	10ohm, 5%, 1/16W, DA, TP, 1608	Y
2007-000309	R224	R-CHIP	10ohm, 5%, 1/16W, DA, TP, 1608	Y
2007-000309	R438	R-CHIP	10ohm, 5%, 1/16W, DA, TP, 1608	Y
2007-000309	R441	R-CHIP	10ohm, 5%, 1/16W, DA, TP, 1608	Y
2007-000309	R501	R-CHIP	10ohm, 5%, 1/16W, DA, TP, 1608	Y
2007-000309	R502	R-CHIP	10ohm, 5%, 1/16W, DA, TP, 1608	Y
2007-000309	R635	R-CHIP	10ohm, 5%, 1/16W, DA, TP, 1608	Y
2007-000309	R692	R-CHIP	10ohm, 5%, 1/16W, DA, TP, 1608	Y
2007-000309	R693	R-CHIP	10ohm, 5%, 1/16W, DA, TP, 1608	Y
2007-000458	R591	R-CHIP	18Kohm, 5%, 1/16W, DA, TP, 1608	Y
2007-000512	R109	R-CHIP	2.4Kohm, 5%, 1/16W, DA, TP, 1608	Y
2007-000616	R318	R-CHIP	24Kohm, 5%, 1/16W, DA, TP, 1608	Y
2007-000669	R895	R-CHIP	2Kohm, 1%, 1/16W, DA, TP, 1608	Y
2007-000701	R891	R-CHIP	3.6Kohm, 1%, 1/16W, DA, TP, 1608	Y
2007-000882	R518	R-CHIP	4.7ohm, 5%, 1/16W, DA, TP, 1608	Y
2007-000882	R519	R-CHIP	4.7ohm, 5%, 1/16W, DA, TP, 1608	Y
2007-001010	R312	R-CHIP	51Kohm, 5%, 1/16W, DA, TP, 1608	Y
2007-001044	R551	R-CHIP	56ohm, 5%, 1/16W, DA, TP, 1608	Y
2007-001044	R552	R-CHIP	56ohm, 5%, 1/16W, DA, TP, 1608	Y
2007-001131	R807	R-CHIP	68ohm, 1%, 1/16W, DA, TP, 1608	Y
2007-001164	R314	R-CHIP	75ohm, 1%, 1/16W, DA, TP, 1608	Y
2007-001164	R315	R-CHIP	75ohm, 1%, 1/16W, DA, TP, 1608	Y
2007-001164	R316	R-CHIP	75ohm, 1%, 1/16W, DA, TP, 1608	Y
2007-001164	R321	R-CHIP	75ohm, 1%, 1/16W, DA, TP, 1608	Y
2007-001164	R325	R-CHIP	75ohm, 1%, 1/16W, DA, TP, 1608	Y
2007-001164	R326	R-CHIP	75ohm, 1%, 1/16W, DA, TP, 1608	Y
2007-001164	R411	R-CHIP	75ohm, 1%, 1/16W, DA, TP, 1608	Y
2007-001164	R412	R-CHIP	75ohm, 1%, 1/16W, DA, TP, 1608	Y
2007-001164	R413	R-CHIP	75ohm, 1%, 1/16W, DA, TP, 1608	Y
2007-001164	R870	R-CHIP	75ohm, 1%, 1/16W, DA, TP, 1608	Y
2007-001164	R871	R-CHIP	75ohm, 1%, 1/16W, DA, TP, 1608	Y
2007-001164	R872	R-CHIP	75ohm, 1%, 1/16W, DA, TP, 1608	Y
2007-001167	R007	R-CHIP	75ohm, 5%, 1/16W, DA, TP, 1608	Y
2007-001167	R008	R-CHIP	75ohm, 5%, 1/16W, DA, TP, 1608	Y
2007-001167	R009	R-CHIP	75ohm, 5%, 1/16W, DA, TP, 1608	Y
2007-001167	R024	R-CHIP	75ohm, 5%, 1/16W, DA, TP, 1608	Y
2007-001167	R236	R-CHIP	75ohm, 5%, 1/16W, DA, TP, 1608	Y

2007-001167	R401	R-CHIP	75ohm, 5%, 1/16W, DA, TP, 1608	Y
2007-001167	R402	R-CHIP	75ohm, 5%, 1/16W, DA, TP, 1608	Y
2007-001167	R403	R-CHIP	75ohm, 5%, 1/16W, DA, TP, 1608	Y
2007-001167	R462	R-CHIP	75ohm, 5%, 1/16W, DA, TP, 1608	Y
2007-001167	R463	R-CHIP	75ohm, 5%, 1/16W, DA, TP, 1608	Y
2007-001167	R464	R-CHIP	75ohm, 5%, 1/16W, DA, TP, 1608	Y
2007-001167	R465	R-CHIP	75ohm, 5%, 1/16W, DA, TP, 1608	Y
2007-001167	R466	R-CHIP	75ohm, 5%, 1/16W, DA, TP, 1608	Y
2007-001167	R467	R-CHIP	75ohm, 5%, 1/16W, DA, TP, 1608	Y
2007-001167	R619	R-CHIP	75ohm, 5%, 1/16W, DA, TP, 1608	Y
2007-001167	RA00	R-CHIP	75ohm, 5%, 1/16W, DA, TP, 1608	Y
2007-001175	R511	R-CHIP	8.2Kohm, 1%, 1/16W, DA, TP, 1608	Y
2007-001214	R808	R-CHIP	82ohm, 1%, 1/16W, DA, TP, 1608	Y
2007-008433	R892	R-CHIP	0.330HM, 1%, 1W, DA, TP, 6432	Y
2007-008433	R893	R-CHIP	0.330HM, 1%, 1W, DA, TP, 6432	Y
2011-000002	IC002	R-NETWORK	22ohm, 5%, 63mW, L, CHIP, 8P, TP	Y
2011-000002	IC003	R-NETWORK	22ohm, 5%, 63mW, L, CHIP, 8P, TP	Y
2011-000002	IC004	R-NETWORK	22ohm, 5%, 63mW, L, CHIP, 8P, TP	Y
2011-000002	IC005	R-NETWORK	22ohm, 5%, 63mW, L, CHIP, 8P, TP	Y
2011-000002	IC006	R-NETWORK	22ohm, 5%, 63mW, L, CHIP, 8P, TP	Y
2011-000002	IC007	R-NETWORK	22ohm, 5%, 63mW, L, CHIP, 8P, TP	Y
2011-000002	IC008	R-NETWORK	22ohm, 5%, 63mW, L, CHIP, 8P, TP	Y
2011-000002	IC009	R-NETWORK	22ohm, 5%, 63mW, L, CHIP, 8P, TP	Y
2011-000002	RA301	R-NETWORK	22ohm, 5%, 63mW, L, CHIP, 8P, TP	Y
2011-000002	RA302	R-NETWORK	22ohm, 5%, 63mW, L, CHIP, 8P, TP	Y
2011-000002	RA303	R-NETWORK	22ohm, 5%, 63mW, L, CHIP, 8P, TP	Y
2011-000002	RA304	R-NETWORK	22ohm, 5%, 63mW, L, CHIP, 8P, TP	Y
2011-000002	RA305	R-NETWORK	22ohm, 5%, 63mW, L, CHIP, 8P, TP	Y
2011-000002	RA306	R-NETWORK	22ohm, 5%, 63mW, L, CHIP, 8P, TP	Y
2011-000002	RA311	R-NETWORK	22ohm, 5%, 63mW, L, CHIP, 8P, TP	Y
2011-000002	RA312	R-NETWORK	22ohm, 5%, 63mW, L, CHIP, 8P, TP	Y
2011-000002	RA313	R-NETWORK	22ohm, 5%, 63mW, L, CHIP, 8P, TP	Y
2011-000002	RA351	R-NETWORK	22ohm, 5%, 63mW, L, CHIP, 8P, TP	Y
2011-000002	RA352	R-NETWORK	22ohm, 5%, 63mW, L, CHIP, 8P, TP	Y
2011-000002	RA353	R-NETWORK	22ohm, 5%, 63mW, L, CHIP, 8P, TP	Y
2011-000002	RA354	R-NETWORK	22ohm, 5%, 63mW, L, CHIP, 8P, TP	Y
2011-000002	RA355	R-NETWORK	22ohm, 5%, 63mW, L, CHIP, 8P, TP	Y
2011-000002	RA356	R-NETWORK	22ohm, 5%, 63mW, L, CHIP, 8P, TP	Y
2011-000515	IC641	R-NETWORK	4.7Kohm, 5%, 1/16W, L, CHIP, 8P, TP	Y
2011-000515	IC642	R-NETWORK	4.7Kohm, 5%, 1/16W, L, CHIP, 8P, TP	Y
2011-000651	IC621	R-NETWORK	10ohm, 5%, 63mW, L, CHIP, 8P, TP	Y
2011-000651	IC622	R-NETWORK	10ohm, 5%, 63mW, L, CHIP, 8P, TP	Y
2011-000651	IC623	R-NETWORK	10ohm, 5%, 63mW, L, CHIP, 8P, TP	Y
2011-000651	IC624	R-NETWORK	10ohm, 5%, 63mW, L, CHIP, 8P, TP	Y
2011-000651	IC625	R-NETWORK	10ohm, 5%, 63mW, L, CHIP, 8P, TP	Y
2011-000651	IC626	R-NETWORK	10ohm, 5%, 63mW, L, CHIP, 8P, TP	Y
2011-000651	IC627	R-NETWORK	10ohm, 5%, 63mW, L, CHIP, 8P, TP	Y

2011-000651	IC628	R-NETWORK	10ohm, 5%, 63mW, L, CHIP, 8P, TP	Y
2011-000651	IC629	R-NETWORK	10ohm, 5%, 63mW, L, CHIP, 8P, TP	Y
2203-000140	C004	C-CERAMIC, CHIP	1.5nF, 10%, 50V, X7R, TP, 1608, -	Y
2203-000140	C008	C-CERAMIC, CHIP	1.5nF, 10%, 50V, X7R, TP, 1608, -	Y
2203-000140	C016	C-CERAMIC, CHIP	1.5nF, 10%, 50V, X7R, TP, 1608, -	Y
2203-000140	C019	C-CERAMIC, CHIP	1.5nF, 10%, 50V, X7R, TP, 1608, -	Y
2203-000140	C038	C-CERAMIC, CHIP	1.5nF, 10%, 50V, X7R, TP, 1608, -	Y
2203-000140	C538	C-CERAMIC, CHIP	1.5nF, 10%, 50V, X7R, TP, 1608, -	Y
2203-000140	C574	C-CERAMIC, CHIP	1.5nF, 10%, 50V, X7R, TP, 1608, -	Y
2203-000189	C304	C-CERAMIC, CHIP	100nF, +80-20%, 25V, Y5V, TP, 1608,	Y
2203-000189	C338	C-CERAMIC, CHIP	100nF, +80-20%, 25V, Y5V, TP, 1608,	Y
2203-000189	C504	C-CERAMIC, CHIP	100nF, +80-20%, 25V, Y5V, TP, 1608,	Y
2203-000189	C505	C-CERAMIC, CHIP	100nF, +80-20%, 25V, Y5V, TP, 1608,	Y
2203-000189	C506	C-CERAMIC, CHIP	100nF, +80-20%, 25V, Y5V, TP, 1608,	Y
2203-000189	C524	C-CERAMIC, CHIP	100nF, +80-20%, 25V, Y5V, TP, 1608,	Y
2203-000189	C525	C-CERAMIC, CHIP	100nF, +80-20%, 25V, Y5V, TP, 1608,	Y
2203-000189	C526	C-CERAMIC, CHIP	100nF, +80-20%, 25V, Y5V, TP, 1608,	Y
2203-000189	C541	C-CERAMIC, CHIP	100nF, +80-20%, 25V, Y5V, TP, 1608,	Y
2203-000189	C542	C-CERAMIC, CHIP	100nF, +80-20%, 25V, Y5V, TP, 1608,	Y
2203-000189	C559	C-CERAMIC, CHIP	100nF, +80-20%, 25V, Y5V, TP, 1608,	Y
2203-000189	C565	C-CERAMIC, CHIP	100nF, +80-20%, 25V, Y5V, TP, 1608,	Y
2203-000189	C570	C-CERAMIC, CHIP	100nF, +80-20%, 25V, Y5V, TP, 1608,	Y
2203-000189	C589	C-CERAMIC, CHIP	100nF, +80-20%, 25V, Y5V, TP, 1608,	Y
2203-000189	C620	C-CERAMIC, CHIP	100nF, +80-20%, 25V, Y5V, TP, 1608,	Y
2203-000189	C624	C-CERAMIC, CHIP	100nF, +80-20%, 25V, Y5V, TP, 1608,	Y
2203-000189	C806	C-CERAMIC, CHIP	100nF, +80-20%, 25V, Y5V, TP, 1608,	Y
2203-000189	C821	C-CERAMIC, CHIP	100nF, +80-20%, 25V, Y5V, TP, 1608,	Y
2203-000189	C842	C-CERAMIC, CHIP	100nF, +80-20%, 25V, Y5V, TP, 1608,	Y
2203-000189	C844	C-CERAMIC, CHIP	100nF, +80-20%, 25V, Y5V, TP, 1608,	Y
2203-000189	C846	C-CERAMIC, CHIP	100nF, +80-20%, 25V, Y5V, TP, 1608,	Y
2203-000189	C852	C-CERAMIC, CHIP	100nF, +80-20%, 25V, Y5V, TP, 1608,	Y
2203-000189	C853	C-CERAMIC, CHIP	100nF, +80-20%, 25V, Y5V, TP, 1608,	Y
2203-000189	C856	C-CERAMIC, CHIP	100nF, +80-20%, 25V, Y5V, TP, 1608,	Y
2203-000189	C858	C-CERAMIC, CHIP	100nF, +80-20%, 25V, Y5V, TP, 1608,	Y
2203-000189	C862	C-CERAMIC, CHIP	100nF, +80-20%, 25V, Y5V, TP, 1608,	Y
2203-000189	C864	C-CERAMIC, CHIP	100nF, +80-20%, 25V, Y5V, TP, 1608,	Y
2203-000189	C868	C-CERAMIC, CHIP	100nF, +80-20%, 25V, Y5V, TP, 1608,	Y
2203-000189	C871	C-CERAMIC, CHIP	100nF, +80-20%, 25V, Y5V, TP, 1608,	Y
2203-000189	C881	C-CERAMIC, CHIP	100nF, +80-20%, 25V, Y5V, TP, 1608,	Y
2203-000189	C894	C-CERAMIC, CHIP	100nF, +80-20%, 25V, Y5V, TP, 1608,	Y
2203-000189	C895	C-CERAMIC, CHIP	100nF, +80-20%, 25V, Y5V, TP, 1608,	Y
2203-000189	C908	C-CERAMIC, CHIP	100nF, +80-20%, 25V, Y5V, TP, 1608,	Y
2203-000189	C909	C-CERAMIC, CHIP	100nF, +80-20%, 25V, Y5V, TP, 1608,	Y
2203-000189	C910	C-CERAMIC, CHIP	100nF, +80-20%, 25V, Y5V, TP, 1608,	Y
2203-000189	C912	C-CERAMIC, CHIP	100nF, +80-20%, 25V, Y5V, TP, 1608,	Y
2203-000189	C972	C-CERAMIC, CHIP	100nF, +80-20%, 25V, Y5V, TP, 1608,	Y
2203-000189	CA01	C-CERAMIC, CHIP	100nF, +80-20%, 25V, Y5V, TP, 1608,	Y

2203-000189	CA02	C-CERAMIC,CHIP	100nF,+80-20%,25V,Y5V,TP,1608,	Y
2203-000189	CA03	C-CERAMIC,CHIP	100nF,+80-20%,25V,Y5V,TP,1608,	Y
2203-000189	CA04	C-CERAMIC,CHIP	100nF,+80-20%,25V,Y5V,TP,1608,	Y
2203-000189	CA10	C-CERAMIC,CHIP	100nF,+80-20%,25V,Y5V,TP,1608,	Y
2203-000189	CA14	C-CERAMIC,CHIP	100nF,+80-20%,25V,Y5V,TP,1608,	Y
2203-000189	CB10	C-CERAMIC,CHIP	100nF,+80-20%,25V,Y5V,TP,1608,	Y
2203-000189	CB11	C-CERAMIC,CHIP	100nF,+80-20%,25V,Y5V,TP,1608,	Y
2203-000236	C069	C-CERAMIC,CHIP	0.1nF,5%,50V,NPO,TP,1608	Y
2203-000236	C070	C-CERAMIC,CHIP	0.1nF,5%,50V,NPO,TP,1608	Y
2203-000236	C091	C-CERAMIC,CHIP	0.1nF,5%,50V,NPO,TP,1608	Y
2203-000236	C102	C-CERAMIC,CHIP	0.1nF,5%,50V,NPO,TP,1608	Y
2203-000236	C103	C-CERAMIC,CHIP	0.1nF,5%,50V,NPO,TP,1608	Y
2203-000236	C104	C-CERAMIC,CHIP	0.1nF,5%,50V,NPO,TP,1608	Y
2203-000236	C105	C-CERAMIC,CHIP	0.1nF,5%,50V,NPO,TP,1608	Y
2203-000236	C219	C-CERAMIC,CHIP	0.1nF,5%,50V,NPO,TP,1608	Y
2203-000236	C222	C-CERAMIC,CHIP	0.1nF,5%,50V,NPO,TP,1608	Y
2203-000236	C227	C-CERAMIC,CHIP	0.1nF,5%,50V,NPO,TP,1608	Y
2203-000236	C228	C-CERAMIC,CHIP	0.1nF,5%,50V,NPO,TP,1608	Y
2203-000236	C232	C-CERAMIC,CHIP	0.1nF,5%,50V,NPO,TP,1608	Y
2203-000236	C234	C-CERAMIC,CHIP	0.1nF,5%,50V,NPO,TP,1608	Y
2203-000236	C235	C-CERAMIC,CHIP	0.1nF,5%,50V,NPO,TP,1608	Y
2203-000236	C237	C-CERAMIC,CHIP	0.1nF,5%,50V,NPO,TP,1608	Y
2203-000236	C239	C-CERAMIC,CHIP	0.1nF,5%,50V,NPO,TP,1608	Y
2203-000236	C242	C-CERAMIC,CHIP	0.1nF,5%,50V,NPO,TP,1608	Y
2203-000236	C246	C-CERAMIC,CHIP	0.1nF,5%,50V,NPO,TP,1608	Y
2203-000236	C248	C-CERAMIC,CHIP	0.1nF,5%,50V,NPO,TP,1608	Y
2203-000236	C257	C-CERAMIC,CHIP	0.1nF,5%,50V,NPO,TP,1608	Y
2203-000236	C259	C-CERAMIC,CHIP	0.1nF,5%,50V,NPO,TP,1608	Y
2203-000236	C268	C-CERAMIC,CHIP	0.1nF,5%,50V,NPO,TP,1608	Y
2203-000236	C271	C-CERAMIC,CHIP	0.1nF,5%,50V,NPO,TP,1608	Y
2203-000236	C283	C-CERAMIC,CHIP	0.1nF,5%,50V,NPO,TP,1608	Y
2203-000236	C314	C-CERAMIC,CHIP	0.1nF,5%,50V,NPO,TP,1608	Y
2203-000236	C409	C-CERAMIC,CHIP	0.1nF,5%,50V,NPO,TP,1608	Y
2203-000236	C410	C-CERAMIC,CHIP	0.1nF,5%,50V,NPO,TP,1608	Y
2203-000236	C461	C-CERAMIC,CHIP	0.1nF,5%,50V,NPO,TP,1608	Y
2203-000236	C462	C-CERAMIC,CHIP	0.1nF,5%,50V,NPO,TP,1608	Y
2203-000236	C465	C-CERAMIC,CHIP	0.1nF,5%,50V,NPO,TP,1608	Y
2203-000236	C466	C-CERAMIC,CHIP	0.1nF,5%,50V,NPO,TP,1608	Y
2203-000236	C467	C-CERAMIC,CHIP	0.1nF,5%,50V,NPO,TP,1608	Y
2203-000236	C470	C-CERAMIC,CHIP	0.1nF,5%,50V,NPO,TP,1608	Y
2203-000236	C550	C-CERAMIC,CHIP	0.1nF,5%,50V,NPO,TP,1608	Y
2203-000236	C617	C-CERAMIC,CHIP	0.1nF,5%,50V,NPO,TP,1608	Y
2203-000236	C618	C-CERAMIC,CHIP	0.1nF,5%,50V,NPO,TP,1608	Y
2203-000236	C811	C-CERAMIC,CHIP	0.1nF,5%,50V,NPO,TP,1608	Y
2203-000236	C814	C-CERAMIC,CHIP	0.1nF,5%,50V,NPO,TP,1608	Y
2203-000236	C888	C-CERAMIC,CHIP	0.1nF,5%,50V,NPO,TP,1608	Y
2203-000236	CB01	C-CERAMIC,CHIP	0.1nF,5%,50V,NPO,TP,1608	Y

2203-000236	CG01	C-CERAMIC,CHIP	0.1nF,5%,50V,NPO,TP,1608	Y
2203-000236	CR01	C-CERAMIC,CHIP	0.1nF,5%,50V,NPO,TP,1608	Y
2203-000257	C383	C-CERAMIC,CHIP	10nF,10%,50V,X7R,TP,1608	Y
2203-000257	C498	C-CERAMIC,CHIP	10nF,10%,50V,X7R,TP,1608	Y
2203-000257	C623	C-CERAMIC,CHIP	10nF,10%,50V,X7R,TP,1608	Y
2203-000257	C802	C-CERAMIC,CHIP	10nF,10%,50V,X7R,TP,1608	Y
2203-000257	C805	C-CERAMIC,CHIP	10nF,10%,50V,X7R,TP,1608	Y
2203-000257	C825	C-CERAMIC,CHIP	10nF,10%,50V,X7R,TP,1608	Y
2203-000257	C859	C-CERAMIC,CHIP	10nF,10%,50V,X7R,TP,1608	Y
2203-000257	C863	C-CERAMIC,CHIP	10nF,10%,50V,X7R,TP,1608	Y
2203-000257	C866	C-CERAMIC,CHIP	10nF,10%,50V,X7R,TP,1608	Y
2203-000257	C921	C-CERAMIC,CHIP	10nF,10%,50V,X7R,TP,1608	Y
2203-000280	C023	C-CERAMIC,CHIP	0.01nF,0.5pF,50V,NPO,TP,1608	Y
2203-000280	C025	C-CERAMIC,CHIP	0.01nF,0.5pF,50V,NPO,TP,1608	Y
2203-000280	C026	C-CERAMIC,CHIP	0.01nF,0.5pF,50V,NPO,TP,1608	Y
2203-000280	C027	C-CERAMIC,CHIP	0.01nF,0.5pF,50V,NPO,TP,1608	Y
2203-000280	C028	C-CERAMIC,CHIP	0.01nF,0.5pF,50V,NPO,TP,1608	Y
2203-000280	C029	C-CERAMIC,CHIP	0.01nF,0.5pF,50V,NPO,TP,1608	Y
2203-000280	C030	C-CERAMIC,CHIP	0.01nF,0.5pF,50V,NPO,TP,1608	Y
2203-000280	C355	C-CERAMIC,CHIP	0.01nF,0.5pF,50V,NPO,TP,1608	Y
2203-000280	C356	C-CERAMIC,CHIP	0.01nF,0.5pF,50V,NPO,TP,1608	Y
2203-000280	C527	C-CERAMIC,CHIP	0.01nF,0.5pF,50V,NPO,TP,1608	Y
2203-000280	C572	C-CERAMIC,CHIP	0.01nF,0.5pF,50V,NPO,TP,1608	Y
2203-000357	C608	C-CERAMIC,CHIP	0.15nF,5%,50V,NPO,TP,1608	Y
2203-000440	C301	C-CERAMIC,CHIP	1nF,10%,50V,X7R,TP,1608,-	Y
2203-000440	C536	C-CERAMIC,CHIP	1nF,10%,50V,X7R,TP,1608,-	Y
2203-000440	C537	C-CERAMIC,CHIP	1nF,10%,50V,X7R,TP,1608,-	Y
2203-000440	C539	C-CERAMIC,CHIP	1nF,10%,50V,X7R,TP,1608,-	Y
2203-000440	C547	C-CERAMIC,CHIP	1nF,10%,50V,X7R,TP,1608,-	Y
2203-000440	C901	C-CERAMIC,CHIP	1nF,10%,50V,X7R,TP,1608,-	Y
2203-000440	C902	C-CERAMIC,CHIP	1nF,10%,50V,X7R,TP,1608,-	Y
2203-000440	C905	C-CERAMIC,CHIP	1nF,10%,50V,X7R,TP,1608,-	Y
2203-000491	C544	C-CERAMIC,CHIP	2.2nF,10%,50V,X7R,TP,1608,-	Y
2203-000491	C548	C-CERAMIC,CHIP	2.2nF,10%,50V,X7R,TP,1608,-	Y
2203-000491	C595	C-CERAMIC,CHIP	2.2nF,10%,50V,X7R,TP,1608,-	Y
2203-000491	C596	C-CERAMIC,CHIP	2.2nF,10%,50V,X7R,TP,1608,-	Y
2203-000491	C807	C-CERAMIC,CHIP	2.2nF,10%,50V,X7R,TP,1608,-	Y
2203-000552	C225	C-CERAMIC,CHIP	0.02nF,5%,50V,NPO,TP,1608	Y
2203-000552	C226	C-CERAMIC,CHIP	0.02nF,5%,50V,NPO,TP,1608	Y
2203-000552	C614	C-CERAMIC,CHIP	0.02nF,5%,50V,NPO,TP,1608	Y
2203-000552	C615	C-CERAMIC,CHIP	0.02nF,5%,50V,NPO,TP,1608	Y
2203-000626	C922	C-CERAMIC,CHIP	0.022nF,5%,50V,NPO,TP,1608	Y
2203-000626	C923	C-CERAMIC,CHIP	0.022nF,5%,50V,NPO,TP,1608	Y
2203-000626	C924	C-CERAMIC,CHIP	0.022nF,5%,50V,NPO,TP,1608	Y
2203-000626	CA08	C-CERAMIC,CHIP	0.022nF,5%,50V,NPO,TP,1608	Y
2203-000626	CA09	C-CERAMIC,CHIP	0.022nF,5%,50V,NPO,TP,1608	Y
2203-000726	C381	C-CERAMIC,CHIP	3.9nF,10%,50V,X7R,TP,1608,-	Y

2203-000783	C088	C-CERAMIC,CHIP	0.33nF,5%,50V,NPO,TP,1608	Y
2203-000815	C244	C-CERAMIC,CHIP	0.033nF,5%,50V,NPO,TP,1608	Y
2203-000815	C290	C-CERAMIC,CHIP	0.033nF,5%,50V,NPO,TP,1608	Y
2203-000815	C291	C-CERAMIC,CHIP	0.033nF,5%,50V,NPO,TP,1608	Y
2203-000815	C292	C-CERAMIC,CHIP	0.033nF,5%,50V,NPO,TP,1608	Y
2203-000815	C293	C-CERAMIC,CHIP	0.033nF,5%,50V,NPO,TP,1608	Y
2203-000815	C294	C-CERAMIC,CHIP	0.033nF,5%,50V,NPO,TP,1608	Y
2203-000815	C295	C-CERAMIC,CHIP	0.033nF,5%,50V,NPO,TP,1608	Y
2203-000815	C296	C-CERAMIC,CHIP	0.033nF,5%,50V,NPO,TP,1608	Y
2203-000815	C297	C-CERAMIC,CHIP	0.033nF,5%,50V,NPO,TP,1608	Y
2203-000815	C298	C-CERAMIC,CHIP	0.033nF,5%,50V,NPO,TP,1608	Y
2203-000815	C299	C-CERAMIC,CHIP	0.033nF,5%,50V,NPO,TP,1608	Y
2203-000815	C308	C-CERAMIC,CHIP	0.033nF,5%,50V,NPO,TP,1608	Y
2203-000815	C309	C-CERAMIC,CHIP	0.033nF,5%,50V,NPO,TP,1608	Y
2203-000815	C366	C-CERAMIC,CHIP	0.033nF,5%,50V,NPO,TP,1608	Y
2203-000815	C368	C-CERAMIC,CHIP	0.033nF,5%,50V,NPO,TP,1608	Y
2203-000815	C371	C-CERAMIC,CHIP	0.033nF,5%,50V,NPO,TP,1608	Y
2203-000815	C373	C-CERAMIC,CHIP	0.033nF,5%,50V,NPO,TP,1608	Y
2203-000815	C375	C-CERAMIC,CHIP	0.033nF,5%,50V,NPO,TP,1608	Y
2203-000815	C376	C-CERAMIC,CHIP	0.033nF,5%,50V,NPO,TP,1608	Y
2203-000815	C3A1	C-CERAMIC,CHIP	0.033nF,5%,50V,NPO,TP,1608	Y
2203-000815	C3A2	C-CERAMIC,CHIP	0.033nF,5%,50V,NPO,TP,1608	Y
2203-000815	C3A3	C-CERAMIC,CHIP	0.033nF,5%,50V,NPO,TP,1608	Y
2203-000815	C3A4	C-CERAMIC,CHIP	0.033nF,5%,50V,NPO,TP,1608	Y
2203-000815	C3A5	C-CERAMIC,CHIP	0.033nF,5%,50V,NPO,TP,1608	Y
2203-000815	C3A6	C-CERAMIC,CHIP	0.033nF,5%,50V,NPO,TP,1608	Y
2203-000815	C3A7	C-CERAMIC,CHIP	0.033nF,5%,50V,NPO,TP,1608	Y
2203-000815	C3A8	C-CERAMIC,CHIP	0.033nF,5%,50V,NPO,TP,1608	Y
2203-000815	C3A9	C-CERAMIC,CHIP	0.033nF,5%,50V,NPO,TP,1608	Y
2203-000815	C3AA	C-CERAMIC,CHIP	0.033nF,5%,50V,NPO,TP,1608	Y
2203-000815	C3AB	C-CERAMIC,CHIP	0.033nF,5%,50V,NPO,TP,1608	Y
2203-000815	C3AC	C-CERAMIC,CHIP	0.033nF,5%,50V,NPO,TP,1608	Y
2203-000815	C3AD	C-CERAMIC,CHIP	0.033nF,5%,50V,NPO,TP,1608	Y
2203-000815	C457	C-CERAMIC,CHIP	0.033nF,5%,50V,NPO,TP,1608	Y
2203-000815	C458	C-CERAMIC,CHIP	0.033nF,5%,50V,NPO,TP,1608	Y
2203-000815	C459	C-CERAMIC,CHIP	0.033nF,5%,50V,NPO,TP,1608	Y
2203-000815	CB07	C-CERAMIC,CHIP	0.033nF,5%,50V,NPO,TP,1608	Y
2203-000815	CB08	C-CERAMIC,CHIP	0.033nF,5%,50V,NPO,TP,1608	Y
2203-000815	CB09	C-CERAMIC,CHIP	0.033nF,5%,50V,NPO,TP,1608	Y
2203-000838	C313	C-CERAMIC,CHIP	0.39nF,5%,50V,NPO,TP,1608	Y
2203-000888	C808	C-CERAMIC,CHIP	4.7nF,10%,50V,X7R,TP,1608	Y
2203-000903	C011	C-CERAMIC,CHIP	0.0047nF,0.25pF,50V,NPO,TP,1608	Y
2203-000903	C012	C-CERAMIC,CHIP	0.0047nF,0.25pF,50V,NPO,TP,1608	Y
2203-000972	C005	C-CERAMIC,CHIP	47nF,10%,16V,X7R,TP,1608	Y
2203-000972	C007	C-CERAMIC,CHIP	47nF,10%,16V,X7R,TP,1608	Y
2203-000972	C013	C-CERAMIC,CHIP	47nF,10%,16V,X7R,TP,1608	Y
2203-000972	C021	C-CERAMIC,CHIP	47nF,10%,16V,X7R,TP,1608	Y

2203-000972	C379	C-CERAMIC,CHIP	47nF, 10%, 16V, X7R, TP, 1608	Y
2203-000972	C576	C-CERAMIC,CHIP	47nF, 10%, 16V, X7R, TP, 1608	Y
2203-000972	C803	C-CERAMIC,CHIP	47nF, 10%, 16V, X7R, TP, 1608	Y
2203-000998	C040	C-CERAMIC,CHIP	0.047nF, 5%, 50V, NPO, TP, 1608	Y
2203-000998	C052	C-CERAMIC,CHIP	0.047nF, 5%, 50V, NPO, TP, 1608	Y
2203-000998	C086	C-CERAMIC,CHIP	0.047nF, 5%, 50V, NPO, TP, 1608	Y
2203-000998	C087	C-CERAMIC,CHIP	0.047nF, 5%, 50V, NPO, TP, 1608	Y
2203-000998	C089	C-CERAMIC,CHIP	0.047nF, 5%, 50V, NPO, TP, 1608	Y
2203-000998	CA20	C-CERAMIC,CHIP	0.047nF, 5%, 50V, NPO, TP, 1608	Y
2203-000998	CA21	C-CERAMIC,CHIP	0.047nF, 5%, 50V, NPO, TP, 1608	Y
2203-001071	C567	C-CERAMIC,CHIP	0.056nF, 5%, 50V, NPO, TP, 1608	Y
2203-001071	C568	C-CERAMIC,CHIP	0.056nF, 5%, 50V, NPO, TP, 1608	Y
2203-001071	C571	C-CERAMIC,CHIP	0.056nF, 5%, 50V, NPO, TP, 1608	Y
2203-001126	C892	C-CERAMIC,CHIP	0.68nF, 10%, 50V, X7R, TP, 1608	Y
2203-001140	C002	C-CERAMIC,CHIP	68nF, 10%, 16V, X7R, TP, 1608, -	Y
2203-001140	C003	C-CERAMIC,CHIP	68nF, 10%, 16V, X7R, TP, 1608, -	Y
2203-001140	C006	C-CERAMIC,CHIP	68nF, 10%, 16V, X7R, TP, 1608, -	Y
2203-001402	C015	C-CERAMIC,CHIP	220nF, +80-20%, 16V, Y5V, TP, 1608	Y
2203-001402	C020	C-CERAMIC,CHIP	220nF, +80-20%, 16V, Y5V, TP, 1608	Y
2203-001402	C031	C-CERAMIC,CHIP	220nF, +80-20%, 16V, Y5V, TP, 1608	Y
2203-001402	C032	C-CERAMIC,CHIP	220nF, +80-20%, 16V, Y5V, TP, 1608	Y
2203-001402	C033	C-CERAMIC,CHIP	220nF, +80-20%, 16V, Y5V, TP, 1608	Y
2203-001402	C034	C-CERAMIC,CHIP	220nF, +80-20%, 16V, Y5V, TP, 1608	Y
2203-001402	C035	C-CERAMIC,CHIP	220nF, +80-20%, 16V, Y5V, TP, 1608	Y
2203-001402	C036	C-CERAMIC,CHIP	220nF, +80-20%, 16V, Y5V, TP, 1608	Y
2203-001402	C039	C-CERAMIC,CHIP	220nF, +80-20%, 16V, Y5V, TP, 1608	Y
2203-001402	C047	C-CERAMIC,CHIP	220nF, +80-20%, 16V, Y5V, TP, 1608	Y
2203-001402	C049	C-CERAMIC,CHIP	220nF, +80-20%, 16V, Y5V, TP, 1608	Y
2203-001402	C848	C-CERAMIC,CHIP	220nF, +80-20%, 16V, Y5V, TP, 1608	Y
2203-001402	C849	C-CERAMIC,CHIP	220nF, +80-20%, 16V, Y5V, TP, 1608	Y
2203-001402	CA00	C-CERAMIC,CHIP	220nF, +80-20%, 16V, Y5V, TP, 1608	Y
2203-001607	C804	C-CERAMIC,CHIP	0.22nF, 5%, 50V, NPO, TP, 1608	Y
2203-001652	C432	C-CERAMIC,CHIP	470nF, +80-20%, 16V, Y5V, TP, 1608	Y
2203-001652	C434	C-CERAMIC,CHIP	470nF, +80-20%, 16V, Y5V, TP, 1608	Y
2203-001652	C435	C-CERAMIC,CHIP	470nF, +80-20%, 16V, Y5V, TP, 1608	Y
2203-001656	C017	C-CERAMIC,CHIP	0.47nF, 5%, 50V, NPO, TP, 1608	Y
2203-001656	C024	C-CERAMIC,CHIP	0.47nF, 5%, 50V, NPO, TP, 1608	Y
2203-001656	C037	C-CERAMIC,CHIP	0.47nF, 5%, 50V, NPO, TP, 1608	Y
2203-001656	C404	C-CERAMIC,CHIP	0.47nF, 5%, 50V, NPO, TP, 1608	Y
2203-001656	C543	C-CERAMIC,CHIP	0.47nF, 5%, 50V, NPO, TP, 1608	Y
2203-001656	C569	C-CERAMIC,CHIP	0.47nF, 5%, 50V, NPO, TP, 1608	Y
2203-005005	C010	C-CERAMIC,CHIP	100nF, 10%, 16V, X7R, TP, 1608	Y
2203-005005	C201	C-CERAMIC,CHIP	100nF, 10%, 16V, X7R, TP, 1608	Y
2203-005005	C202	C-CERAMIC,CHIP	100nF, 10%, 16V, X7R, TP, 1608	Y
2203-005005	C203	C-CERAMIC,CHIP	100nF, 10%, 16V, X7R, TP, 1608	Y
2203-005005	C204	C-CERAMIC,CHIP	100nF, 10%, 16V, X7R, TP, 1608	Y
2203-005005	C205	C-CERAMIC,CHIP	100nF, 10%, 16V, X7R, TP, 1608	Y

2203-005015	C509	C-CERAMIC,CHIP	150nF,+80-20%,16V,Y5V,TP,1608	Y
2203-005015	C510	C-CERAMIC,CHIP	150nF,+80-20%,16V,Y5V,TP,1608	Y
2203-005015	C511	C-CERAMIC,CHIP	150nF,+80-20%,16V,Y5V,TP,1608	Y
2203-005015	C512	C-CERAMIC,CHIP	150nF,+80-20%,16V,Y5V,TP,1608	Y
2203-005015	C513	C-CERAMIC,CHIP	150nF,+80-20%,16V,Y5V,TP,1608	Y
2203-005015	C514	C-CERAMIC,CHIP	150nF,+80-20%,16V,Y5V,TP,1608	Y
2203-005015	C515	C-CERAMIC,CHIP	150nF,+80-20%,16V,Y5V,TP,1608	Y
2203-005015	C516	C-CERAMIC,CHIP	150nF,+80-20%,16V,Y5V,TP,1608	Y
2203-005015	C517	C-CERAMIC,CHIP	150nF,+80-20%,16V,Y5V,TP,1608	Y
2203-005015	C518	C-CERAMIC,CHIP	150nF,+80-20%,16V,Y5V,TP,1608	Y
2203-005065	C249	C-CERAMIC,CHIP	1000nF,+80-20%,10V,Y5V,TP,1608	Y
2203-005065	C261	C-CERAMIC,CHIP	1000nF,+80-20%,10V,Y5V,TP,1608	Y
2203-005065	C264	C-CERAMIC,CHIP	1000nF,+80-20%,10V,Y5V,TP,1608	Y
2203-005065	C401	C-CERAMIC,CHIP	1000nF,+80-20%,10V,Y5V,TP,1608	Y
2203-005065	C529	C-CERAMIC,CHIP	1000nF,+80-20%,10V,Y5V,TP,1608	Y
2203-005065	C532	C-CERAMIC,CHIP	1000nF,+80-20%,10V,Y5V,TP,1608	Y
2203-006017	C221	C-CERAMIC,CHIP	0.56NF,5%,50V,COG,TP,1608	Y
2203-006017	C224	C-CERAMIC,CHIP	0.56NF,5%,50V,COG,TP,1608	Y
2203-006036	C018	C-CERAMIC,CHIP	680NF,+80-20%,16V,Y5V,TP,1608	Y
2203-006036	C067	C-CERAMIC,CHIP	680NF,+80-20%,16V,Y5V,TP,1608	Y
2203-006036	C068	C-CERAMIC,CHIP	680NF,+80-20%,16V,Y5V,TP,1608	Y
2402-000108	C488	C-AL,SMD	10uF,20%,16V,WT,TP,4.3x4.3x5.4	Y
2402-000108	C489	C-AL,SMD	10uF,20%,16V,WT,TP,4.3x4.3x5.4	Y
2402-000108	C491	C-AL,SMD	10uF,20%,16V,WT,TP,4.3x4.3x5.4	Y
2402-000108	C552	C-AL,SMD	10uF,20%,16V,WT,TP,4.3x4.3x5.4	Y
2402-000108	C561	C-AL,SMD	10uF,20%,16V,WT,TP,4.3x4.3x5.4	Y
2402-000135	C218	C-AL,SMD	22uF,20%,16V,GP,TP,5.3x5.3x5.4	Y
2402-000135	C223	C-AL,SMD	22uF,20%,16V,GP,TP,5.3x5.3x5.4	Y
2402-000135	C231	C-AL,SMD	22uF,20%,16V,GP,TP,5.3x5.3x5.4	Y
2402-000135	C236	C-AL,SMD	22uF,20%,16V,GP,TP,5.3x5.3x5.4	Y
2402-000135	C250	C-AL,SMD	22uF,20%,16V,GP,TP,5.3x5.3x5.4	Y
2402-000135	C251	C-AL,SMD	22uF,20%,16V,GP,TP,5.3x5.3x5.4	Y
2402-000135	C252	C-AL,SMD	22uF,20%,16V,GP,TP,5.3x5.3x5.4	Y
2402-000135	C254	C-AL,SMD	22uF,20%,16V,GP,TP,5.3x5.3x5.4	Y
2402-000135	C258	C-AL,SMD	22uF,20%,16V,GP,TP,5.3x5.3x5.4	Y
2402-000135	C269	C-AL,SMD	22uF,20%,16V,GP,TP,5.3x5.3x5.4	Y
2402-000135	C284	C-AL,SMD	22uF,20%,16V,GP,TP,5.3x5.3x5.4	Y
2402-000135	C320	C-AL,SMD	22uF,20%,16V,GP,TP,5.3x5.3x5.4	Y
2402-000135	C339	C-AL,SMD	22uF,20%,16V,GP,TP,5.3x5.3x5.4	Y
2402-000135	C382	C-AL,SMD	22uF,20%,16V,GP,TP,5.3x5.3x5.4	Y
2402-000168	C247	C-AL,SMD	100uF,20%,16V,GP,TP,8.3x8.3x6.3mm	Y
2402-000170	C519	C-AL,SMD	1uF,20%,50V,GP,TP,4.3x4.3x5.4,	Y
2402-000170	C521	C-AL,SMD	1uF,20%,50V,GP,TP,4.3x4.3x5.4,	Y
2402-000170	C531	C-AL,SMD	1uF,20%,50V,GP,TP,4.3x4.3x5.4,	Y
2402-000170	C533	C-AL,SMD	1uF,20%,50V,GP,TP,4.3x4.3x5.4,	Y
2402-000170	C828	C-AL,SMD	1uF,20%,50V,GP,TP,4.3x4.3x5.4,	Y
2402-000170	C870	C-AL,SMD	1uF,20%,50V,GP,TP,4.3x4.3x5.4,	Y

2402-000170	C891	C-AL,SMD	1uF,20%,50V,GP,TP,4.3x4.3x5.4,	Y
2402-000170	C899	C-AL,SMD	1uF,20%,50V,GP,TP,4.3x4.3x5.4,	Y
2402-000173	C343	C-AL,SMD	4.7uF,20%,35V,GP,TP,4.3x4.3x5.	Y
2402-000173	C351	C-AL,SMD	4.7uF,20%,35V,GP,TP,4.3x4.3x5.	Y
2402-000173	C358	C-AL,SMD	4.7uF,20%,35V,GP,TP,4.3x4.3x5.	Y
2402-000173	C553	C-AL,SMD	4.7uF,20%,35V,GP,TP,4.3x4.3x5.	Y
2402-000173	C554	C-AL,SMD	4.7uF,20%,35V,GP,TP,4.3x4.3x5.	Y
2402-000173	C555	C-AL,SMD	4.7uF,20%,35V,GP,TP,4.3x4.3x5.	Y
2402-000173	C556	C-AL,SMD	4.7uF,20%,35V,GP,TP,4.3x4.3x5.	Y
2402-000173	C557	C-AL,SMD	4.7uF,20%,35V,GP,TP,4.3x4.3x5.	Y
2402-000173	C558	C-AL,SMD	4.7uF,20%,35V,GP,TP,4.3x4.3x5.	Y
2402-000173	C562	C-AL,SMD	4.7uF,20%,35V,GP,TP,4.3x4.3x5.	Y
2402-000173	C563	C-AL,SMD	4.7uF,20%,35V,GP,TP,4.3x4.3x5.	Y
2402-000173	C564	C-AL,SMD	4.7uF,20%,35V,GP,TP,4.3x4.3x5.	Y
2402-000176	C009	C-AL,SMD	10uF,20%,16V,GP,TP,4.3x4.3x5.4	Y
2402-000176	C014	C-AL,SMD	10uF,20%,16V,GP,TP,4.3x4.3x5.4	Y
2402-000176	C022	C-AL,SMD	10uF,20%,16V,GP,TP,4.3x4.3x5.4	Y
2402-000176	C042	C-AL,SMD	10uF,20%,16V,GP,TP,4.3x4.3x5.4	Y
2402-000176	C044	C-AL,SMD	10uF,20%,16V,GP,TP,4.3x4.3x5.4	Y
2402-000176	C045	C-AL,SMD	10uF,20%,16V,GP,TP,4.3x4.3x5.4	Y
2402-000176	C046	C-AL,SMD	10uF,20%,16V,GP,TP,4.3x4.3x5.4	Y
2402-000176	C241	C-AL,SMD	10uF,20%,16V,GP,TP,4.3x4.3x5.4	Y
2402-000176	C545	C-AL,SMD	10uF,20%,16V,GP,TP,4.3x4.3x5.4	Y
2402-000176	C546	C-AL,SMD	10uF,20%,16V,GP,TP,4.3x4.3x5.4	Y
2402-000176	C566	C-AL,SMD	10uF,20%,16V,GP,TP,4.3x4.3x5.4	Y
2402-000176	C628	C-AL,SMD	10uF,20%,16V,GP,TP,4.3x4.3x5.4	Y
2402-000176	C893	C-AL,SMD	10uF,20%,16V,GP,TP,4.3x4.3x5.4	Y
2402-000176	CA05	C-AL,SMD	10uF,20%,16V,GP,TP,4.3x4.3x5.4	Y
2402-000176	CA06	C-AL,SMD	10uF,20%,16V,GP,TP,4.3x4.3x5.4	Y
2402-000176	CA07	C-AL,SMD	10uF,20%,16V,GP,TP,4.3x4.3x5.4	Y
2402-000176	CB04	C-AL,SMD	10uF,20%,16V,GP,TP,4.3x4.3x5.4	Y
2402-000176	CB05	C-AL,SMD	10uF,20%,16V,GP,TP,4.3x4.3x5.4	Y
2402-000176	CB06	C-AL,SMD	10uF,20%,16V,GP,TP,4.3x4.3x5.4	Y
2402-000179	C001	C-AL,SMD	47uF,20%,16V,GP,TP,6.6x6.6x5.4	Y
2402-000179	C066	C-AL,SMD	47uF,20%,16V,GP,TP,6.6x6.6x5.4	Y
2402-000179	C200	C-AL,SMD	47uF,20%,16V,GP,TP,6.6x6.6x5.4	Y
2402-000179	C289	C-AL,SMD	47uF,20%,16V,GP,TP,6.6x6.6x5.4	Y
2402-000179	C311	C-AL,SMD	47uF,20%,16V,GP,TP,6.6x6.6x5.4	Y
2402-000179	C497	C-AL,SMD	47uF,20%,16V,GP,TP,6.6x6.6x5.4	Y
2402-000179	C577	C-AL,SMD	47uF,20%,16V,GP,TP,6.6x6.6x5.4	Y
2402-000179	C603	C-AL,SMD	47uF,20%,16V,GP,TP,6.6x6.6x5.4	Y
2402-000179	C611	C-AL,SMD	47uF,20%,16V,GP,TP,6.6x6.6x5.4	Y
2402-001019	C616	C-AL,SMD	2.2uF,20%,35V,GP,TP,3.3x3.3x5.	Y
2402-001042	C041	C-AL,SMD	100uF,20%,16V,GP,TP,6.6x6.6x5.4mm	Y
2402-001042	C281	C-AL,SMD	100uF,20%,16V,GP,TP,6.6x6.6x5.4mm	Y
2402-001042	C336	C-AL,SMD	100uF,20%,16V,GP,TP,6.6x6.6x5.4mm	Y
2402-001042	C392	C-AL,SMD	100uF,20%,16V,GP,TP,6.6x6.6x5.4mm	Y

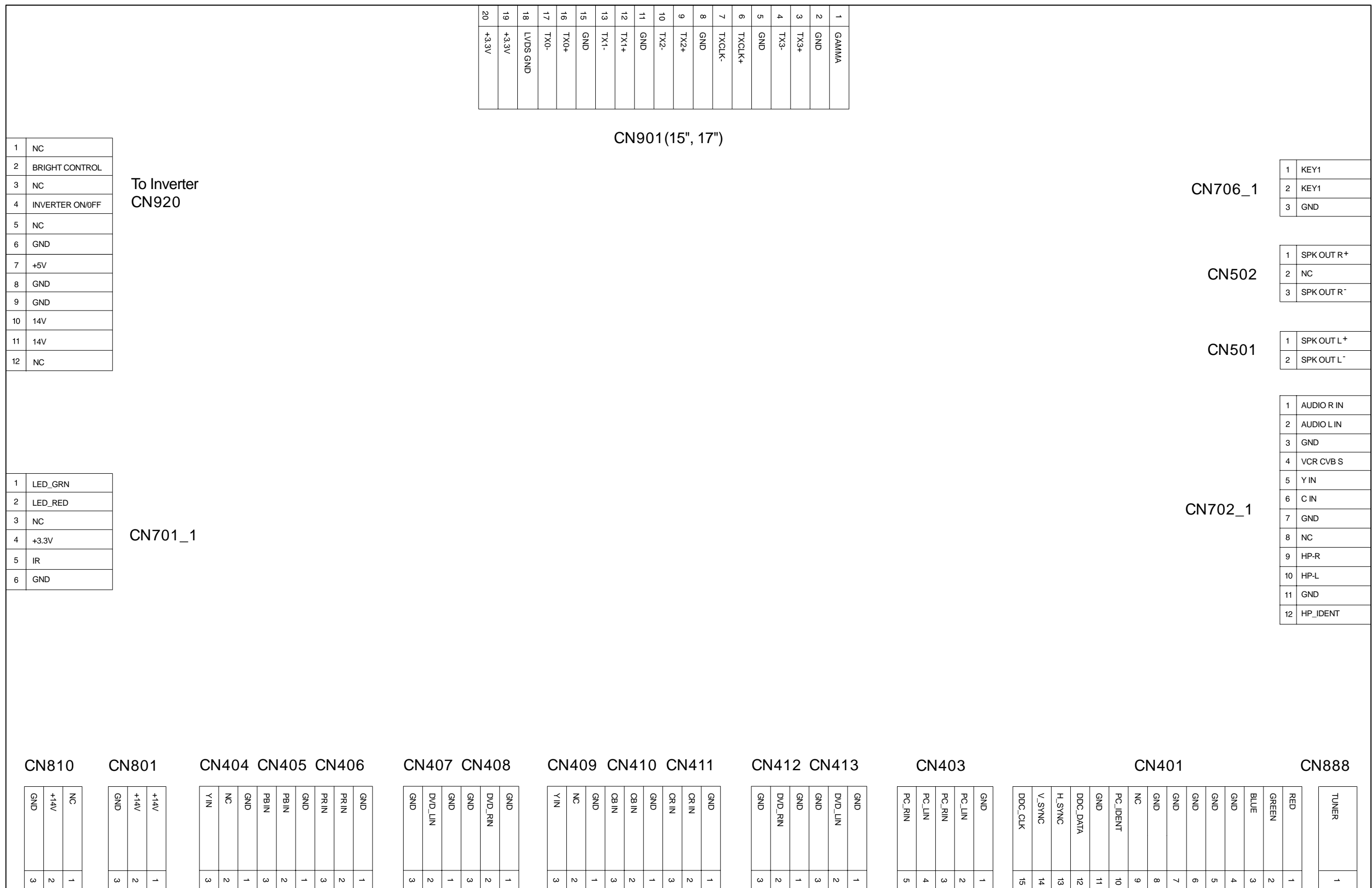
2402-001042	C520	C-AL,SMD	100uF,20%,16V,GP,TP,6.6x6.6x5.4mm	Y
2402-001042	C522	C-AL,SMD	100uF,20%,16V,GP,TP,6.6x6.6x5.4mm	Y
2402-001042	C523	C-AL,SMD	100uF,20%,16V,GP,TP,6.6x6.6x5.4mm	Y
2402-001042	C528	C-AL,SMD	100uF,20%,16V,GP,TP,6.6x6.6x5.4mm	Y
2402-001042	C534	C-AL,SMD	100uF,20%,16V,GP,TP,6.6x6.6x5.4mm	Y
2402-001042	C535	C-AL,SMD	100uF,20%,16V,GP,TP,6.6x6.6x5.4mm	Y
2402-001042	C575	C-AL,SMD	100uF,20%,16V,GP,TP,6.6x6.6x5.4mm	Y
2402-001042	C580	C-AL,SMD	100uF,20%,16V,GP,TP,6.6x6.6x5.4mm	Y
2402-001042	C597	C-AL,SMD	100uF,20%,16V,GP,TP,6.6x6.6x5.4mm	Y
2402-001042	C598	C-AL,SMD	100uF,20%,16V,GP,TP,6.6x6.6x5.4mm	Y
2402-001042	C604	C-AL,SMD	100uF,20%,16V,GP,TP,6.6x6.6x5.4mm	Y
2402-001042	C621	C-AL,SMD	100uF,20%,16V,GP,TP,6.6x6.6x5.4mm	Y
2402-001042	C801	C-AL,SMD	100uF,20%,16V,GP,TP,6.6x6.6x5.4mm	Y
2402-001042	C809	C-AL,SMD	100uF,20%,16V,GP,TP,6.6x6.6x5.4mm	Y
2402-001042	C812	C-AL,SMD	100uF,20%,16V,GP,TP,6.6x6.6x5.4mm	Y
2402-001042	C822	C-AL,SMD	100uF,20%,16V,GP,TP,6.6x6.6x5.4mm	Y
2402-001042	C841	C-AL,SMD	100uF,20%,16V,GP,TP,6.6x6.6x5.4mm	Y
2402-001042	C843	C-AL,SMD	100uF,20%,16V,GP,TP,6.6x6.6x5.4mm	Y
2402-001042	C861	C-AL,SMD	100uF,20%,16V,GP,TP,6.6x6.6x5.4mm	Y
2402-001042	C889	C-AL,SMD	100uF,20%,16V,GP,TP,6.6x6.6x5.4mm	Y
2402-001042	C903	C-AL,SMD	100uF,20%,16V,GP,TP,6.6x6.6x5.4mm	Y
2402-001042	C904	C-AL,SMD	100uF,20%,16V,GP,TP,6.6x6.6x5.4mm	Y
2402-001042	C906	C-AL,SMD	100uF,20%,16V,GP,TP,6.6x6.6x5.4mm	Y
2402-001042	C907	C-AL,SMD	100uF,20%,16V,GP,TP,6.6x6.6x5.4mm	Y
2402-001042	C911	C-AL,SMD	100uF,20%,16V,GP,TP,6.6x6.6x5.4mm	Y
2402-001086	C872	C-AL,SMD	100UF,20%,16V,WT,TP,6.6X6.6X5.3	Y
2402-001155	C288	C-AL,SMD	47UF,20%,16V,WT,TP,6.3X5.2MM	Y
2402-001155	C329	C-AL,SMD	47UF,20%,16V,WT,TP,6.3X5.2MM	Y
2409-001029	C810	C-ORGANIC	120uF,20%,6.3V,WT,TP,10.3x10.3x10.3mm,9	Y
2409-001029	C813	C-ORGANIC	120uF,20%,6.3V,WT,TP,10.3x10.3x10.3mm,9	Y
2409-001029	C826	C-ORGANIC	120uF,20%,6.3V,WT,TP,10.3x10.3x10.3mm,9	Y
2409-001029	C827	C-ORGANIC	120uF,20%,6.3V,WT,TP,10.3x10.3x10.3mm,9	Y
2409-001029	C865	C-ORGANIC	120uF,20%,6.3V,WT,TP,10.3x10.3x10.3mm,9	Y
2409-001029	C867	C-ORGANIC	120uF,20%,6.3V,WT,TP,10.3x10.3x10.3mm,9	Y
2409-001029	C869	C-ORGANIC	120uF,20%,6.3V,WT,TP,10.3x10.3x10.3mm,9	Y
2409-001029	C890	C-ORGANIC	120uF,20%,6.3V,WT,TP,10.3x10.3x10.3mm,9	Y
2703-000398	L008	INDUCTOR-SMD	10uH,10%,3.2x2.5x2.2mm	Y
2703-000398	L401	INDUCTOR-SMD	10uH,10%,3.2x2.5x2.2mm	Y
2703-000398	L402	INDUCTOR-SMD	10uH,10%,3.2x2.5x2.2mm	Y
2703-000398	L403	INDUCTOR-SMD	10uH,10%,3.2x2.5x2.2mm	Y
2703-000398	L404	INDUCTOR-SMD	10uH,10%,3.2x2.5x2.2mm	Y
2703-000398	L405	INDUCTOR-SMD	10uH,10%,3.2x2.5x2.2mm	Y
2703-000398	L410	INDUCTOR-SMD	10uH,10%,3.2x2.5x2.2mm	Y
2703-000412	L611	INDUCTOR-SMD	8.2uH,5%,3.2x2.5x2.2mm	Y
2703-000417	L802	INDUCTOR-SMD	220uH,5%,3.2x2.5x2.2mm	Y
2703-001334	L411	INDUCTOR-SMD	1.5uH,10%,2x1.25x0.85mm	Y
2703-001334	L412	INDUCTOR-SMD	1.5uH,10%,2x1.25x0.85mm	Y

2703-001426	L803	INDUCTOR-SMD	680uH, 20%, 7x7x3.2mm	Y
2703-001778	L201	INDUCTOR-SMD	3.3UH, 20%, 3.2X2.5X2.2MM	Y
2703-001778	L202	INDUCTOR-SMD	3.3UH, 20%, 3.2X2.5X2.2MM	Y
2703-001778	L203	INDUCTOR-SMD	3.3UH, 20%, 3.2X2.5X2.2MM	Y
2703-001778	L204	INDUCTOR-SMD	3.3UH, 20%, 3.2X2.5X2.2MM	Y
2703-001778	L206	INDUCTOR-SMD	3.3UH, 20%, 3.2X2.5X2.2MM	Y
2703-001778	L207	INDUCTOR-SMD	3.3UH, 20%, 3.2X2.5X2.2MM	Y
2703-001778	L208	INDUCTOR-SMD	3.3UH, 20%, 3.2X2.5X2.2MM	Y
2703-001778	L209	INDUCTOR-SMD	3.3UH, 20%, 3.2X2.5X2.2MM	Y
2703-001778	L555	INDUCTOR-SMD	3.3UH, 20%, 3.2X2.5X2.2MM	Y
2703-001778	L612	INDUCTOR-SMD	3.3UH, 20%, 3.2X2.5X2.2MM	Y
2703-001778	L613	INDUCTOR-SMD	3.3UH, 20%, 3.2X2.5X2.2MM	Y
2703-001778	L921	INDUCTOR-SMD	3.3UH, 20%, 3.2X2.5X2.2MM	Y
2703-002327	L540	INDUCTOR-SMD	3.9UH, 55, 3.2X2.5X2.2MM	Y
2703-002327	L541	INDUCTOR-SMD	3.9UH, 55, 3.2X2.5X2.2MM	Y
2801-003667	X201	CRYSTAL-SMD	14.3182MHZ, 50PPM, 28-AAN, 16, 50OHM, TP	Y
2801-003700	XA01	CRYSTAL-SMD	8MHz, 30ppm, 28-AAN, 20pF, 80ohm, T	Y
2801-003843	X511	CRYSTAL-SMD	18.432MHz, 30ppm, 28-AAN, 20pF, 50ohm, TP	Y
2801-004004	X401	CRYSTAL-SMD	20.25MHz, 20ppm, 28-AAN, 13pF, 25ohm, TP	Y
2801-004117	X601	CRYSTAL-SMD	6MHZ, 30PPM, 28-ABX, 20PF, 150OHM, TP	Y
2901-001114	FT281	FILTER-EMI SMD	25VDC, 2.0ADC, -, 100nF, 3.2x1.6x1	Y
2901-001114	FT401	FILTER-EMI SMD	25VDC, 2.0ADC, -, 100nF, 3.2x1.6x1	Y
2901-001114	FT901	FILTER-EMI SMD	25VDC, 2.0ADC, -, 100nF, 3.2x1.6x1	Y
2901-001114	FT902	FILTER-EMI SMD	25VDC, 2.0ADC, -, 100nF, 3.2x1.6x1	Y
2901-001114	FT903	FILTER-EMI SMD	25VDC, 2.0ADC, -, 100nF, 3.2x1.6x1	Y
2901-001114	FT904	FILTER-EMI SMD	25VDC, 2.0ADC, -, 100nF, 3.2x1.6x1	Y
2901-001114	FT923	FILTER-EMI SMD	25VDC, 2.0ADC, -, 100nF, 3.2x1.6x1	Y
2901-001114	R293	FILTER-EMI SMD	25VDC, 2.0ADC, -, 100nF, 3.2x1.6x1	Y
3301-001145	151NCH	CORE-FERRITE BEAD	AB, 4.5x1.6x1.6mm, -, -	N
3301-001145	FT211	CORE-FERRITE BEAD	AB, 4.5x1.6x1.6mm, -, -	N
3301-001145	FT303	CORE-FERRITE BEAD	AB, 4.5x1.6x1.6mm, -, -	N
3301-001145	FT304	CORE-FERRITE BEAD	AB, 4.5x1.6x1.6mm, -, -	N
3301-001145	FT811	CORE-FERRITE BEAD	AB, 4.5x1.6x1.6mm, -, -	N
3301-001145	FT814	CORE-FERRITE BEAD	AB, 4.5x1.6x1.6mm, -, -	N
3301-001145	FT815	CORE-FERRITE BEAD	AB, 4.5x1.6x1.6mm, -, -	N
3301-001145	FT816	CORE-FERRITE BEAD	AB, 4.5x1.6x1.6mm, -, -	N
3301-001145	FT817	CORE-FERRITE BEAD	AB, 4.5x1.6x1.6mm, -, -	N
3301-001145	FT818	CORE-FERRITE BEAD	AB, 4.5x1.6x1.6mm, -, -	N
3301-001145	FT822	CORE-FERRITE BEAD	AB, 4.5x1.6x1.6mm, -, -	N
3301-001145	FT824	CORE-FERRITE BEAD	AB, 4.5x1.6x1.6mm, -, -	N
3301-001145	FT825	CORE-FERRITE BEAD	AB, 4.5x1.6x1.6mm, -, -	N
3301-001145	FT851	CORE-FERRITE BEAD	AB, 4.5x1.6x1.6mm, -, -	N
3301-001145	FT852	CORE-FERRITE BEAD	AB, 4.5x1.6x1.6mm, -, -	N
3301-001145	FT920	CORE-FERRITE BEAD	AB, 4.5x1.6x1.6mm, -, -	N
3301-001145	FT921	CORE-FERRITE BEAD	AB, 4.5x1.6x1.6mm, -, -	N
3301-001145	FTA1	CORE-FERRITE BEAD	AB, 4.5x1.6x1.6mm, -, -	N
3301-001145	L100	CORE-FERRITE BEAD	AB, 4.5x1.6x1.6mm, -, -	N

3704-000249	IC620 SOCK	SOCKET-IC	32P, PLCC, SN, 1.27mm	Y
3711-000556	CN702_1	CONNECTOR-HEADER	BOX, 12P, 1R, 1.25mm, SMD-A, SN	N
3711-002046	CN920	CONNECTOR-HEADER	3WALL, 12P, 1R, 1.25mm, SMD-S, SN	N
3711-002049	CN701_1	CONNECTOR-HEADER	BOX, 6P, 1R, 1.25mm, SMD-A, SN	N
3711-003161	CN901	CONNECTOR-HEADER	BOX, 20P, 1R, 1.25mm, ANGLE, SN	N
BN27-00007A	L501	COIL CHOKE-SMD	DHB0504-100, RB15/17NS, 10UH, ± 10%, -, 0.080HM, 1.5A, DR5.8X4.5, 20.5TS, 6.0X5.2X4.5MM, -	Y
BN27-00007A	L502	COIL CHOKE-SMD	DHB0504-100, RB15/17NS, 10UH, ± 10%, -, 0.080HM, 1.5A, DR5.8X4.5, 20.5TS, 6.0X5.2X4.5MM, -	Y
BN27-00007A	L503	COIL CHOKE-SMD	DHB0504-100, RB15/17NS, 10UH, ± 10%, -, 0.080HM, 1.5A, DR5.8X4.5, 20.5TS, 6.0X5.2X4.5MM, -	Y
BN27-00007A	L504	COIL CHOKE-SMD	DHB0504-100, RB15/17NS, 10UH, ± 10%, -, 0.080HM, 1.5A, DR5.8X4.5, 20.5TS, 6.0X5.2X4.5MM, -	Y
BN27-00009A	L806	COIL CHOKE	SMD 12X12X6, EOS, 33UH, 15%, -, 0.12 MAX, 2A, DR10X5.0MM, 18.5TS, 12X12X6, 1.8MM, 1UEW 0.	Y
BN27-00010A	L805	COIL CHOKE	-, NK17NS, 100UH, 10%, -, 0.7 MAX, 6A, DR5.8X4.5MM, 59.5TS, 6.0X5.2X4.5MM, 1.8MM, 1UEW 0.	Y
BN27-00010A	L830	COIL CHOKE	-, NK17NS, 100UH, 10%, -, 0.7 MAX, 6A, DR5.8X4.5MM, 59.5TS, 6.0X5.2X4.5MM, 1.8MM, 1UEW 0.	Y
BN27-20001A	L807	COIL-CHOKE	-, 53.0UH, 20%, DR10*5, -, -, -, 0.18ohm, -, -, -, TRAY	Y
BN41-00183A	MP1.0	PCB MAIN	NK17SO, FR4, 6L, 280X140X1.6, NK17AS	N
BN92-00329A	-	ASSY LABEL	NK15AS	N
BN68-00242B	CIS	LABEL RATING	NK15AS, EDC, PE, TO.05, 90, 45, SYNC, -, PE NATURE, -, -	N
BN92-00346K	-	ASSY P/MATERIAL	NK15AS	N
0203-001100	CIS	TAPE-OPP MASKING	OPP/W75/CLR, TO.05, W75, L800000, CLR	N
BH69-00457B	CIS	PACKING-PAD	GH15, FOAM, T3.0, 930, 1000	N
BH69-30355E	CIS	BAG-PE/N	NK15, PE FOAM, 0.5, 650, 650, NTR	N
BH69-40321C	CIS	PACKING-EDGE	SW4/YEL, 2030*140, -, CGC5637 (HP)	N
BH69-40379A	CIS	PACKING-WRAP	LDPE, W500*TO.02, -, -	N
BN68-00129A	CIS	LABEL SHIPPING	-, LABEL SHIPPING, ART-PAPER, 100G, -, WHT, BLACK, -, -, -	N
BN69-00131G	CIS	PALLET-PACKING	NK15AS, WOODEN, 1152, 892, 120, -, -, -	N
BN69-00247A	CIS	CUSHION-L/R	NIKE 15", EPS, -, -, 50M, -, -, -	N
BN92-00461A	-	ASSY BOX	LS15N13WX/XSG, SGE, UNITED ARAB EMIRATES	N
BH75-10529A	CIS	UNIT-HANDLE PACKING	LXA410TLMU, PE, -, WHITE, -	N
BN72-60001A	CIS	LEVER TOP	LSD210TL, PE-LD, WHITE, TFT_LCD	N
BN72-60002A	CIS	LEVER BOTTOM	LSD210TL, PE-LD, WHITE, TFT-LCD	N
BN68-00135A	CIS	LABEL BAR CODE	-, ALL, MPR II, DOM, ART-PAPER 90G, -, WHT, BLACK, -, -, -	N
BN69-00275F	CIS	BOX	LS15N13W, OFFSET, ASIA, CB-SW4, WHT, OFFSET, A-1, L559*W429*H245	N
BN92-00535L	-	ASSY ACCESSORY	GG15LS	N
BN96-00126L	CIS	ASSY ACCESSORY	LS17N13WX/XHK, SEHK, HONGKONG	N
0203-000214	CIS	TAPE-OPP MASKING	OPP/W50/CLR, TO.05, W50, L400000,	N
4301-000121	CIS	BATTERY-MN	1.5V, -, AAA, 10.5x44.5m, HOLDER	N
BH39-00080A	CIS	CBF POWER CORD	DET, H05VV-F, -, BLK, 2500MM, WALL, MP5004-3, -	Y
BH39-40355W	CIS	CBF-HARNESS	-, 2000MM, IVORY, -, -, -	Y
BH69-30348D	CIS	BAG-PE	LDPE, TO.05, W240*L356, Y, -, CMG73	N
BN39-00043A	CIS	CBF SIGNAL	DETACHABLE, -, 15P/15P, -, -, -	Y
BN59-00225A	CIS	REMOCON	-, TM71, NIKE, 41, GR20, BLUE, PAL, -, -, -	Y
BN68-00248H	CIS	MANUAL USERS	LS15N13W, LS17N13W, SAMSUNG, E/THAI/INNI/VET, DOMESTIC, MOJO100G	Y

Memo

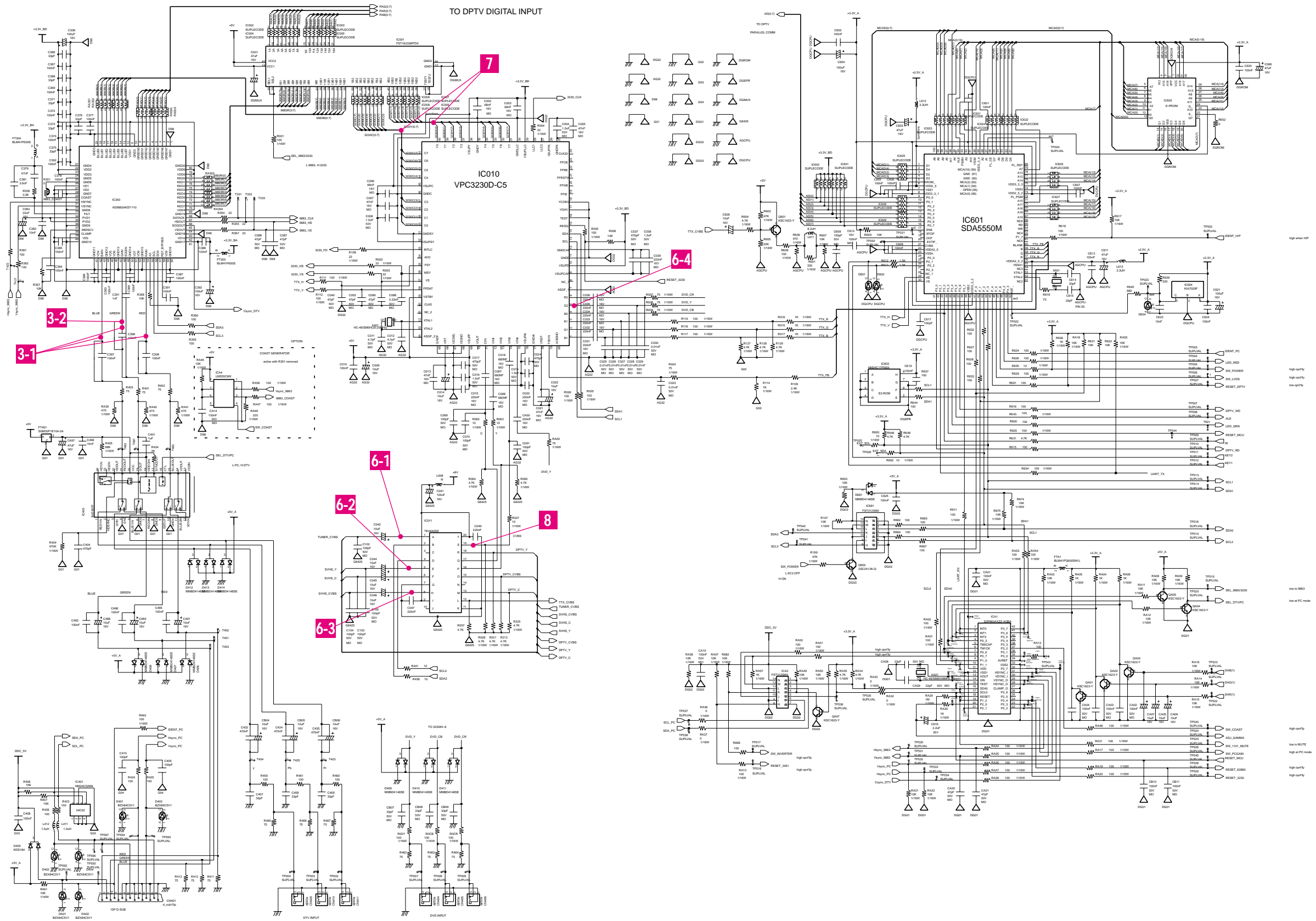
9 Wiring Diagram

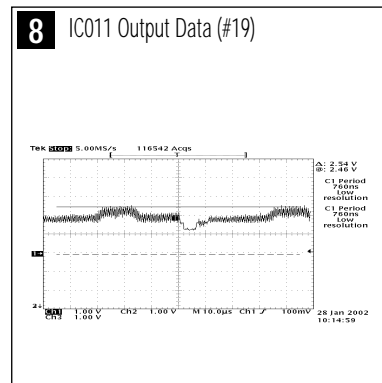
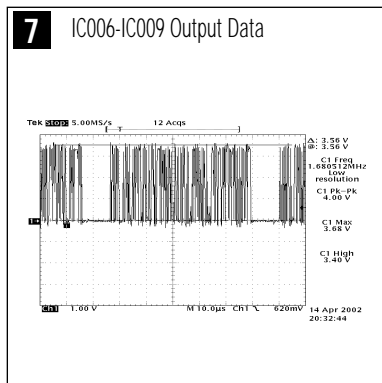
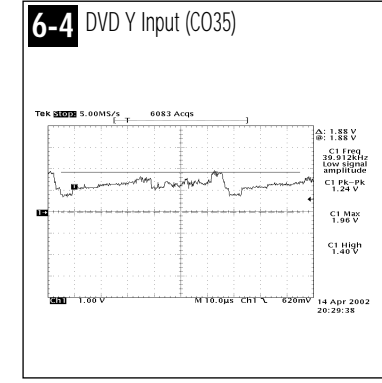
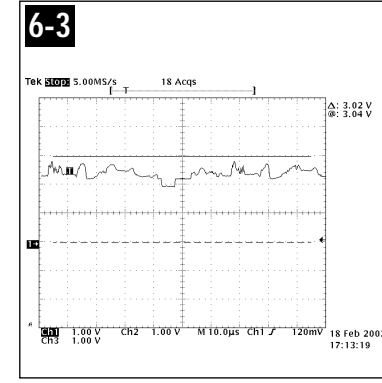
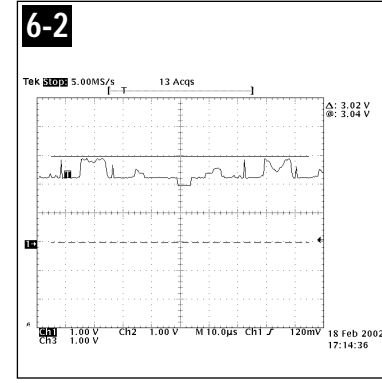
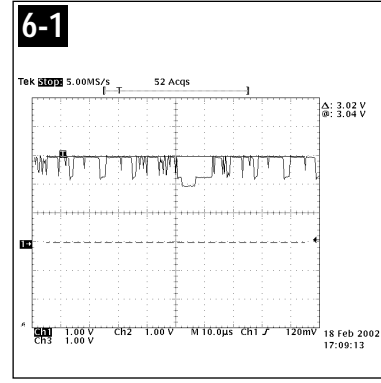
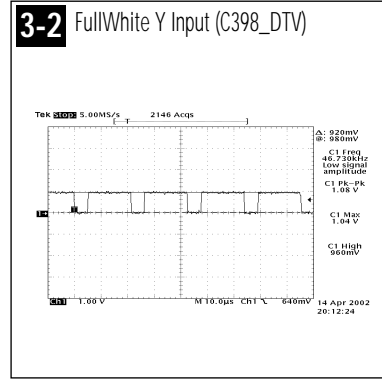
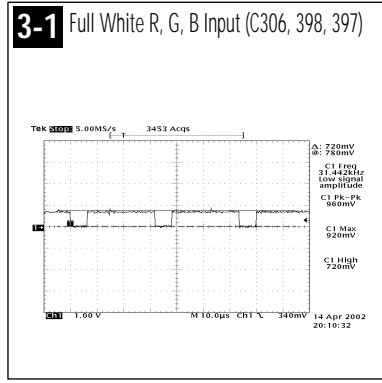


Memo

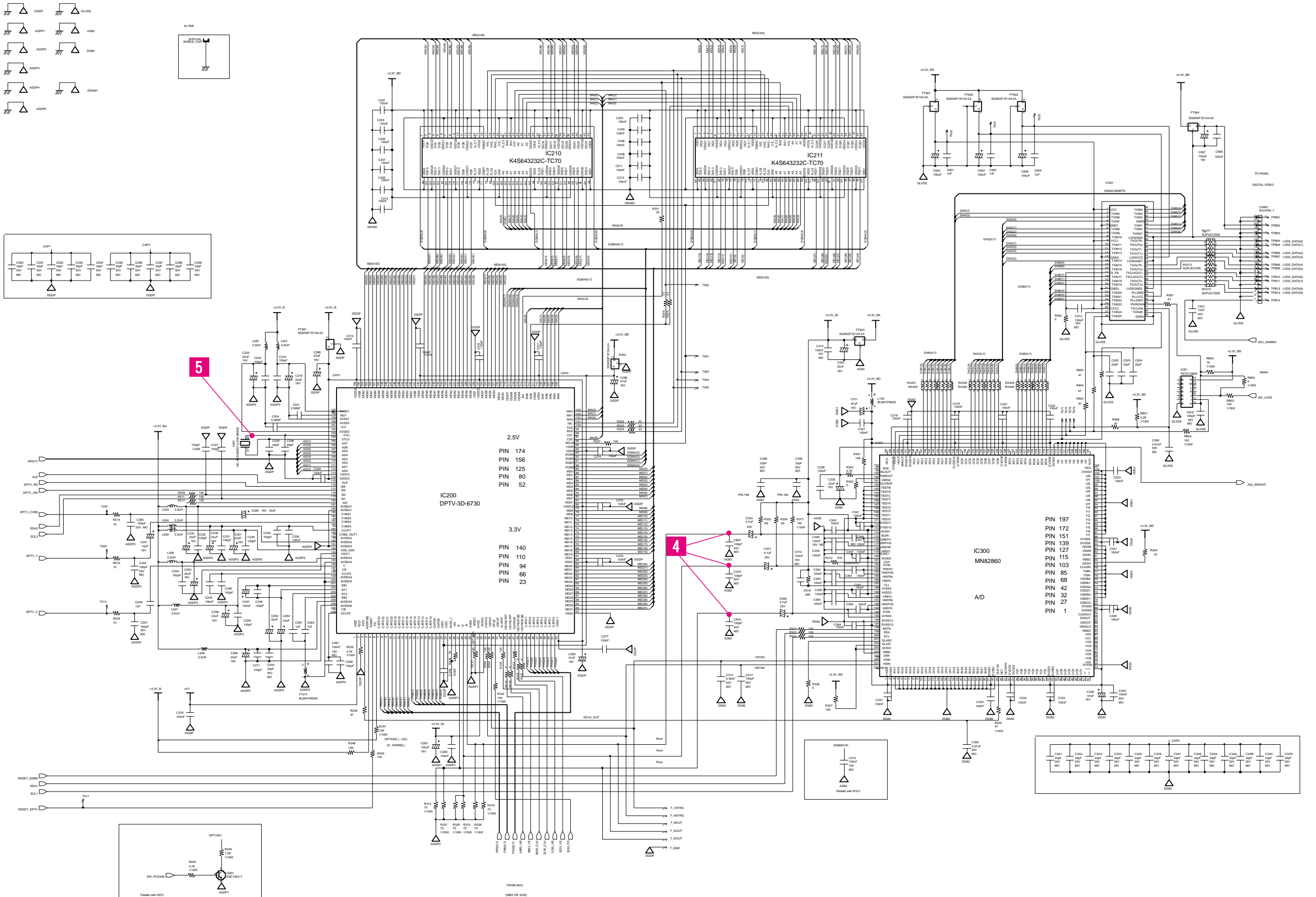
10 Schematic Diagrams

10-1 CPU Block & Signal Processing Part Schematic Diagram

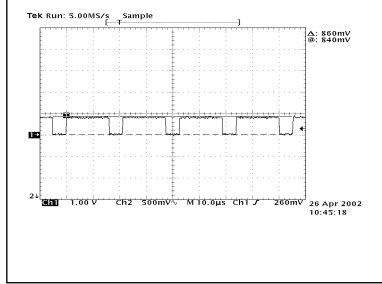




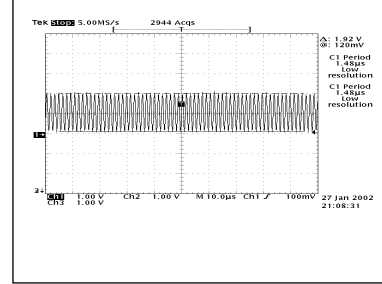
10-2 SCALER & Digital Output Part Schematic Diagram



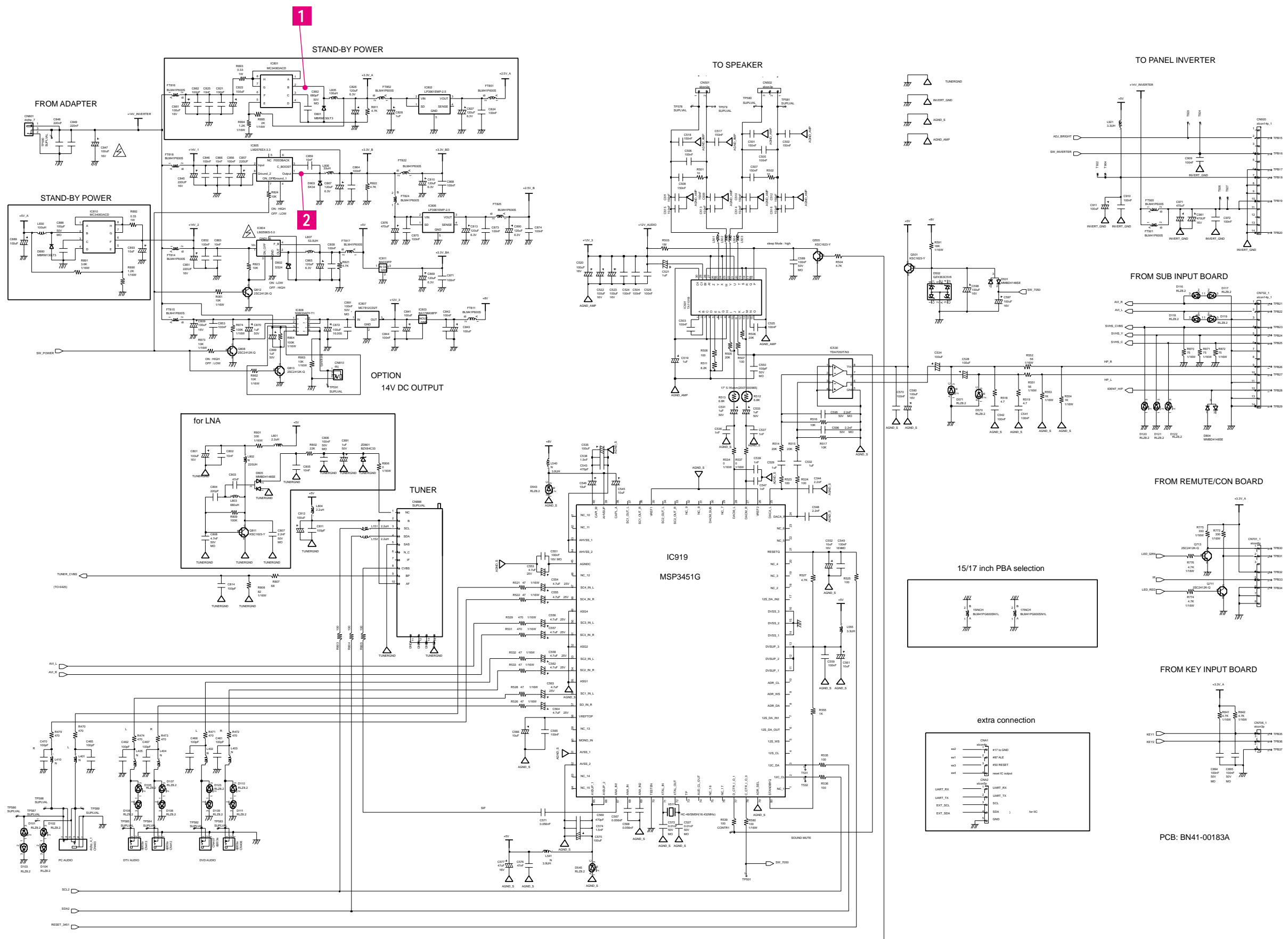
4 DPTV R, G, B Output (CR01, CG01, CB01)

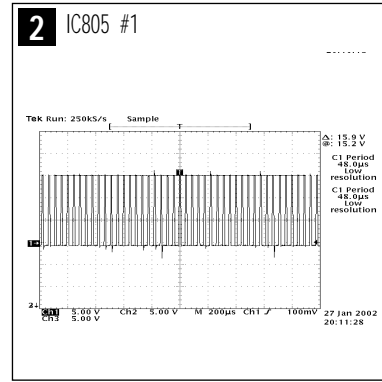
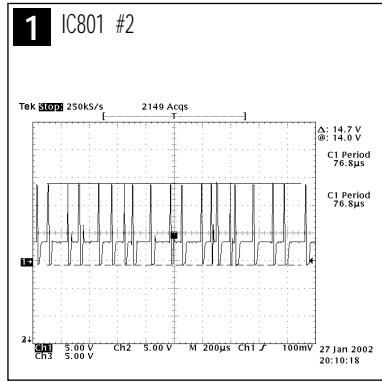


5 X201



10-3 DC Power Input, Sound, Tuner, ETC Part Schematic Diagram







Samsung Electronics Co.,Ltd.

416, Maetan-3Dong, Paldal-Gu, Suwon City, Kyungki-Do, Korea.

Printed in Korea

P/N : BN82-00068A-00

<http://www.samsungmonitor.com> (SyncMaster Worldwide)

<http://www.samsung-monitor.com> (SyncMaster USA)

<http://www.sec.co.kr/monitor> (Korea)